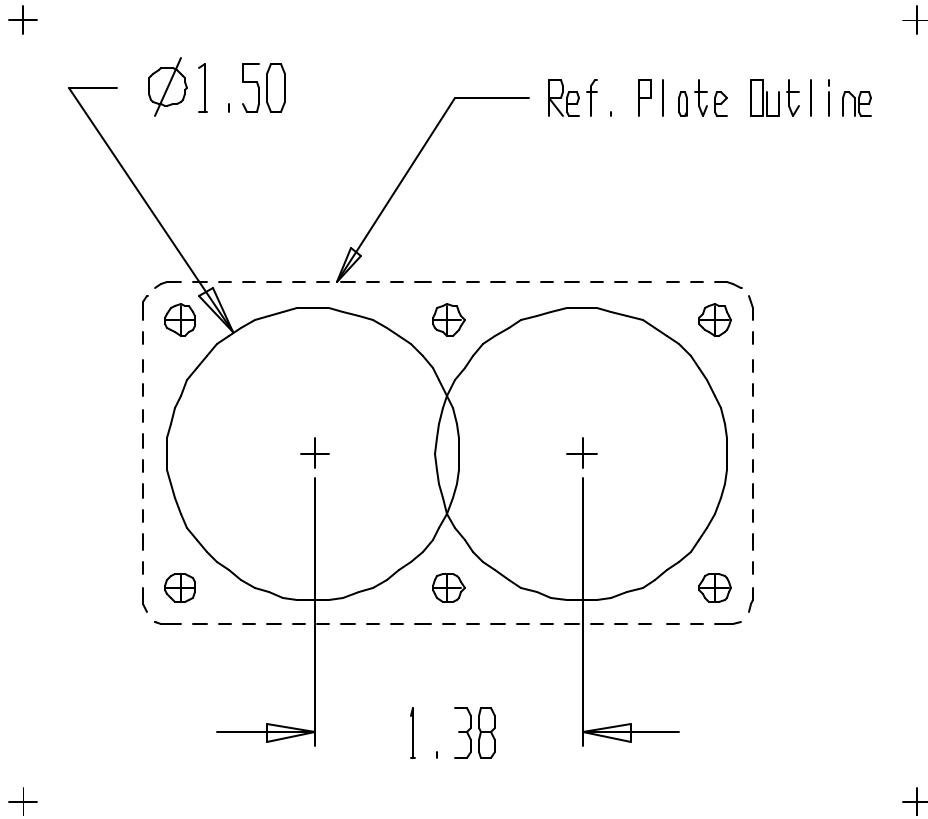




Gooseneck Lamps and Accessories
Littlite LA Series Gooseneck Assembly

The Littlite LA series gooseneck assembly is designed for quick and easy flush mounting. Use the template below to install the assembly. For securing the plate with screws provided, use a Number 37 drill. For clearance holes, use a 5/32" diameter drill.

Template



Note: The two 1.5 inch holes need to intersect to provide a channel for the dimmer/switch wiring. Drill the holes 1.38 apart on center.

Thank you for your purchase of a Littlite product. Littlite products are designed to provide you a lifetime of service. Please contact the factory if you have any questions regarding our products

Littlite, LLC
PO Box 430 Hamburg, MI 48139
sales@littlite.com (810) 231-9373