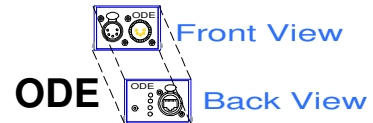
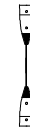
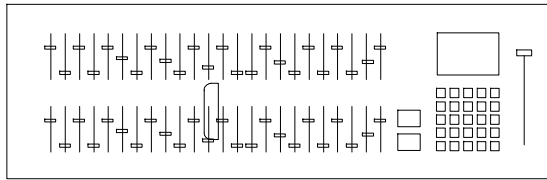


ODE used as Input for Visualizer

DMX Console



Cat 5



Computer running Capture
WYSIWYG, Arkaos or similar.

P.O. Box 282
Kew, Vic 3101
Australia
+61 39 819 2433 Tel
+61 39 819 2733 Fax

ENTTEC PTY LTD

ENTTEC USA
SALES AND INFO
337 Court Street
Brooklyn, NY 11231
888 454-5922 Voice/Fax

PLATE

70305-1

System Schematic

ODE used as Input for Visualizer

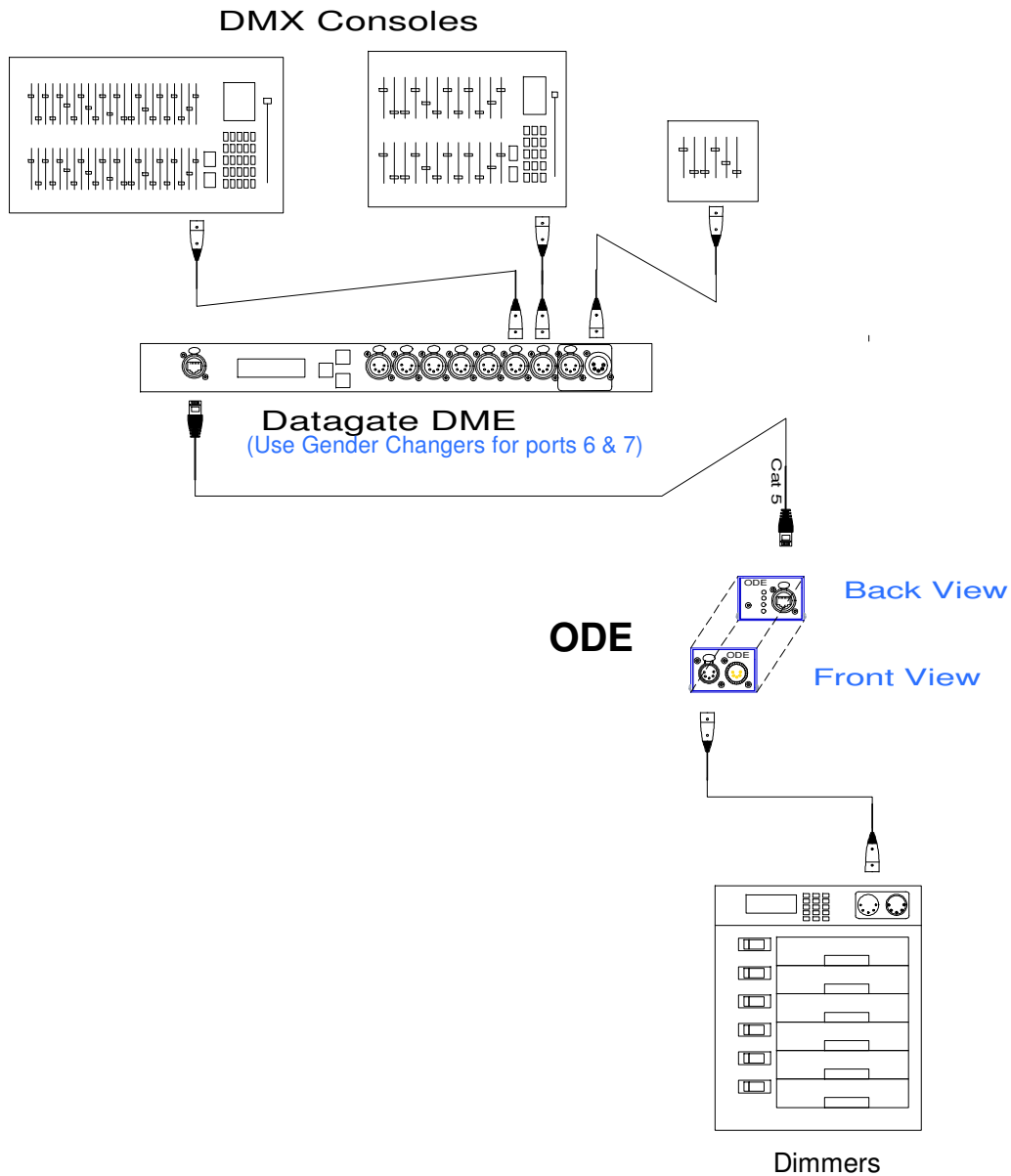
SCALE: n/a

Some elements drawn out of scale for clarity

DRAWING DATE: 11/25/2007

DRAWN BY: J KUMIN

ODE used with Datagate DME for
Cat5 runs of merged signals for 1 universe.



P.O. Box 282
Kew, Vic 3101
Australia
+61 39 819 2433 Tel
+61 39 819 2733 Fax

ENTTEC PTY LTD

ENTTEC USA
SALES AND INFO
337 Court Street
Brooklyn, NY 11231
888 454-5922 Voice/Fax

PLATE

70305-2

System Schematic

DMX to Merger to ODE: 1 univ

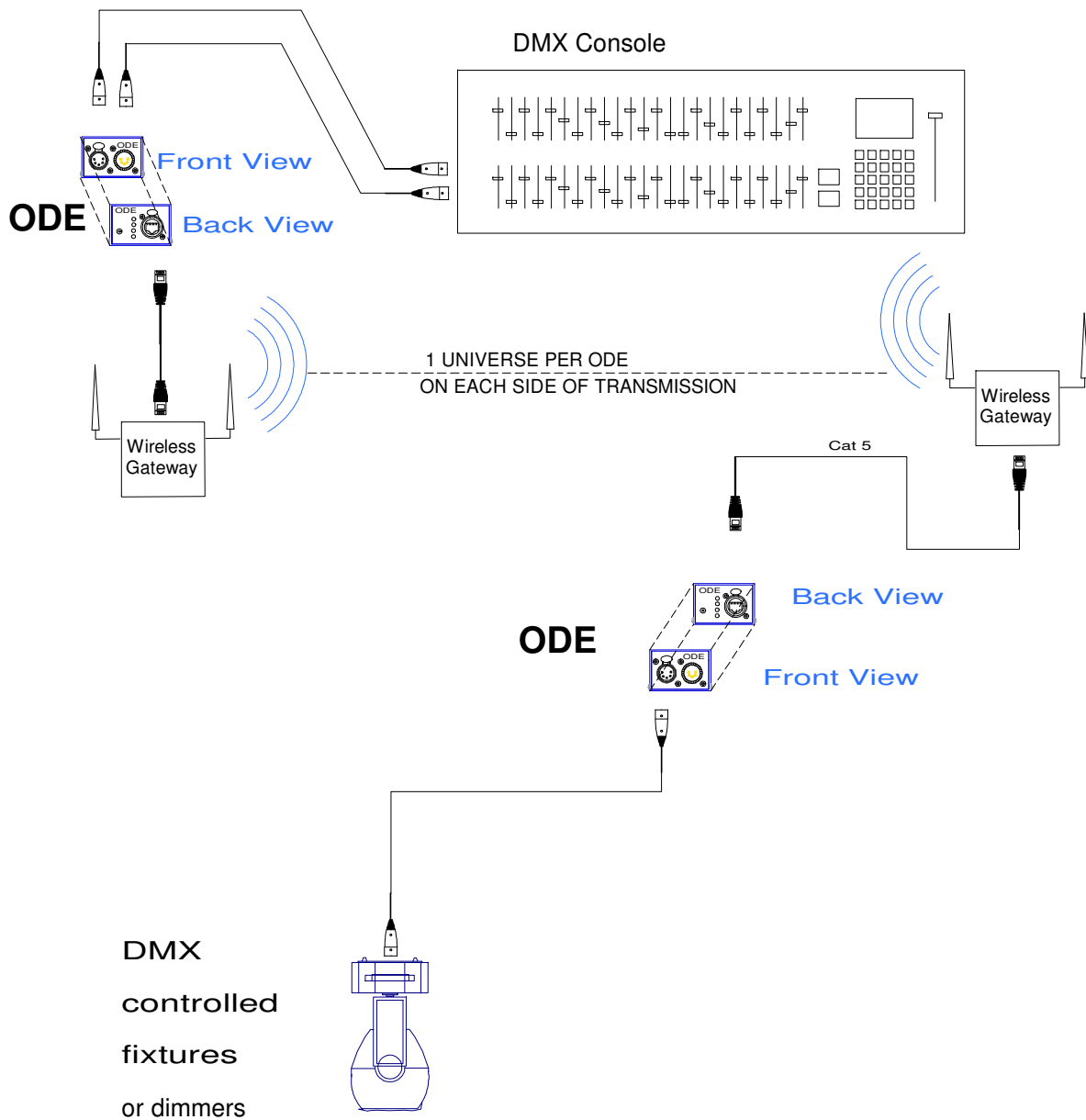
SCALE: n/a

Some elements drawn out of scale for clarity

DRAWING DATE: 4/16/2007

DRAWN BY: J KUMIN

ODE used for wireless DMX transmission



P.O. Box 282
Kew, Vic 3101
Australia
+61 39 819 2433 Tel
+61 39 819 2733 Fax

ENTTEC PTY LTD

ENTTEC USA
SALES AND INFO
337 Court Street
Brooklyn, NY 11231
888 454-5922 Voice/Fax

PLATE

70305-3

System Schematic

ODE used for wireless DMX transmission

SCALE: n/a

Some elements drawn out of scale for clarity

DRAWING DATE: 4/16/2007

DRAWN BY: J KUMIN