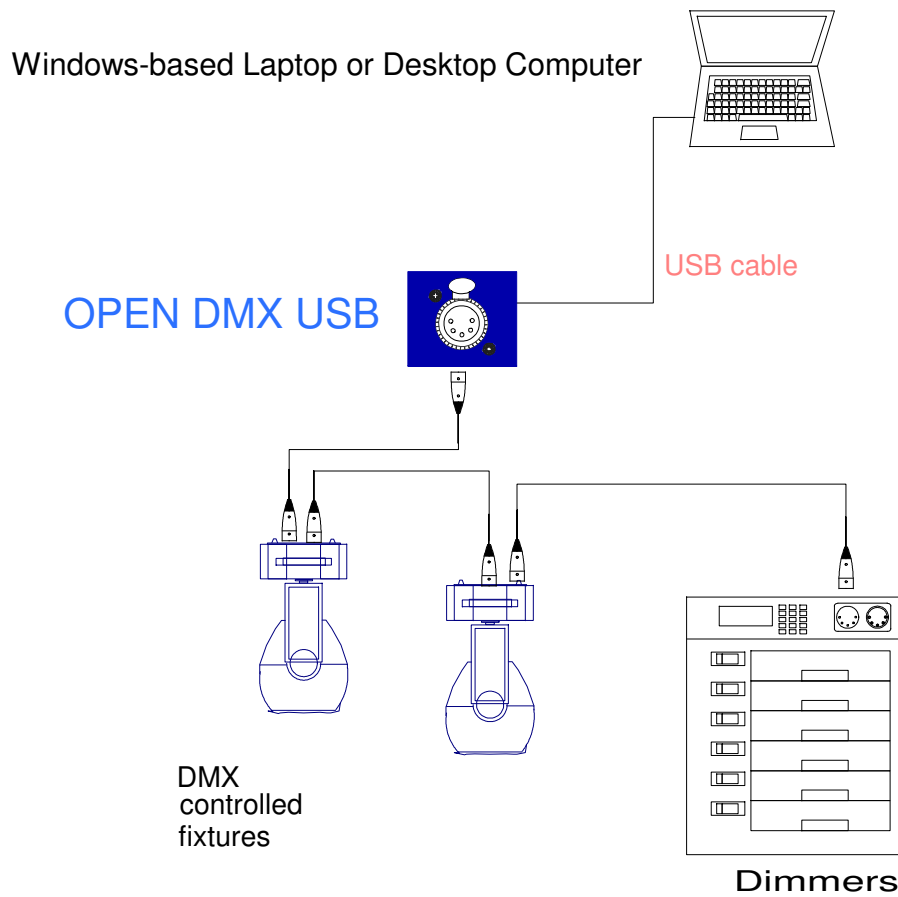


LightFactory with OPEN DMX USB for output



P.O. Box 282
Kew, Vic 3101
Australia
+61 39 819 2433 Tel
+61 39 819 2733 Fax

ENTTEC PTY LTD

ENTTEC USA
SALES AND INFO
337 Court Street
Brooklyn, NY 11231
888 454-5922 Voice/Fax

System Schematic

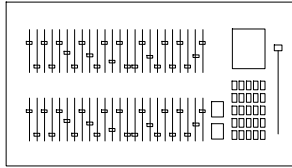
LightFactory with OPEN DMX USB for output

SCALE: n/a
Some elements drawn out of scale for clarity
DRAWING DATE: 4/8/2007

DRAWN BY: J KUMIN

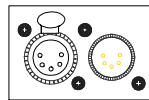
LightFactory with DMX USB PRO used as Input and Output

DMX Console for Fader controls



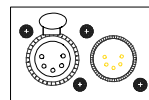
One DMX USB Pro is required for each input or output. USB Hubs can be used where required to connect more DMX USB Pros

DMX USB Pro Input

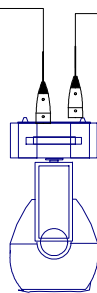
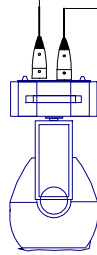


Laptop running ENTTEC LightFactory application.

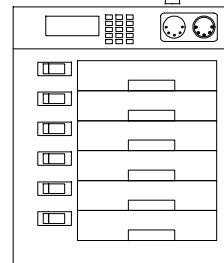
DMX USB Pro Output



USB cable



DMX controlled fixtures



Dimmers

P.O. Box 282
Kew, Vic 3101
Australia
+61 39 819 2433 Tel
+61 39 819 2733 Fax

ENTTEC PTY LTD

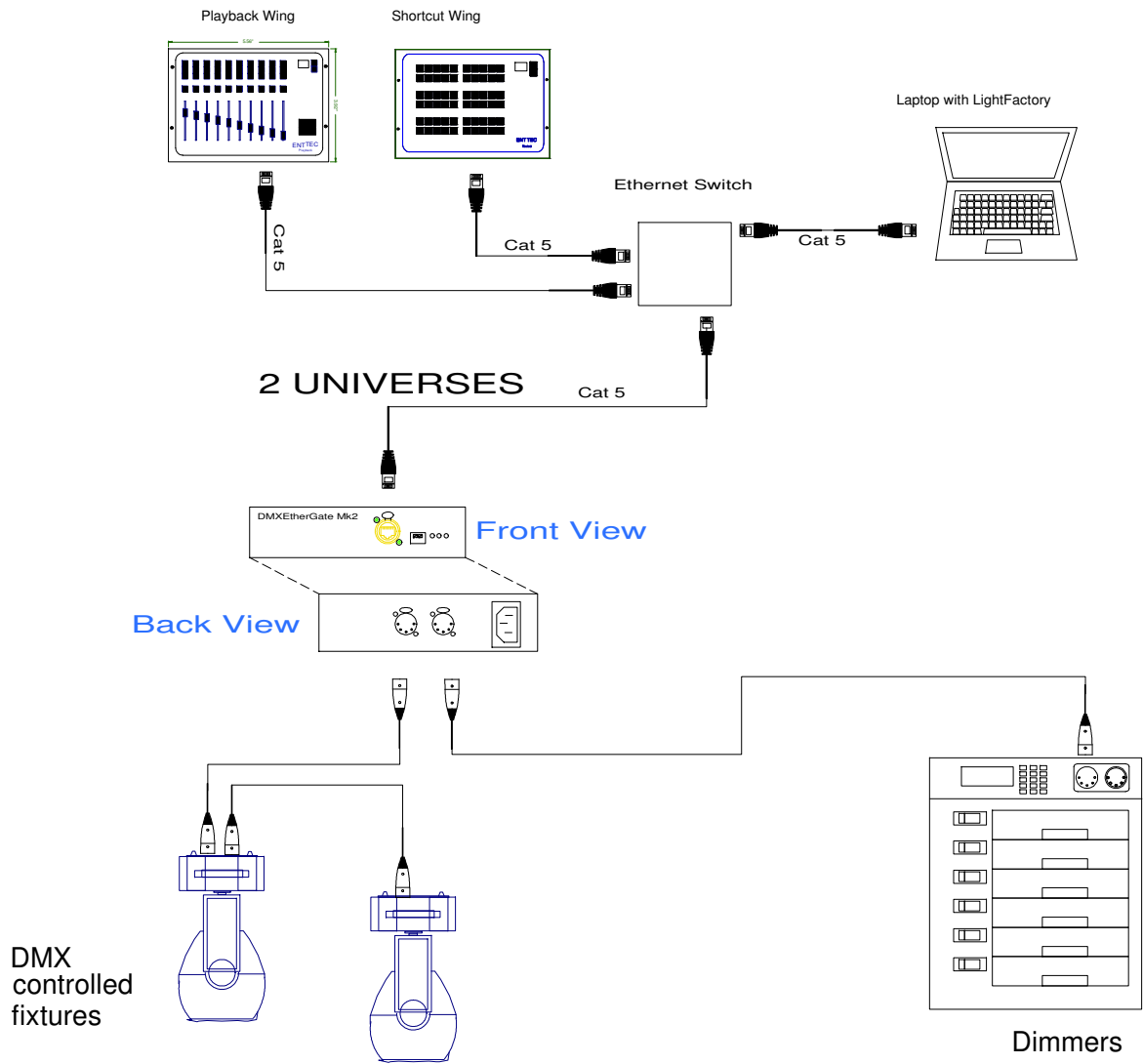
ENTTEC USA
SALES AND INFO
337 Court Street
Brooklyn, NY 11231
888 454-5922 Voice/Fax

System Schematic

DMX USB PRO used as Input and Output with LightFactory

DRAWN BY: J KUMIN
DRAWING DATE: 4/8/2007

LAPTOP with LightFactory, various wings, and DMXEtherGate for Output



P.O. Box 282
Kew, Vic 3101
Australia
+61 39 819 2433 Tel
+61 39 819 2733 Fax

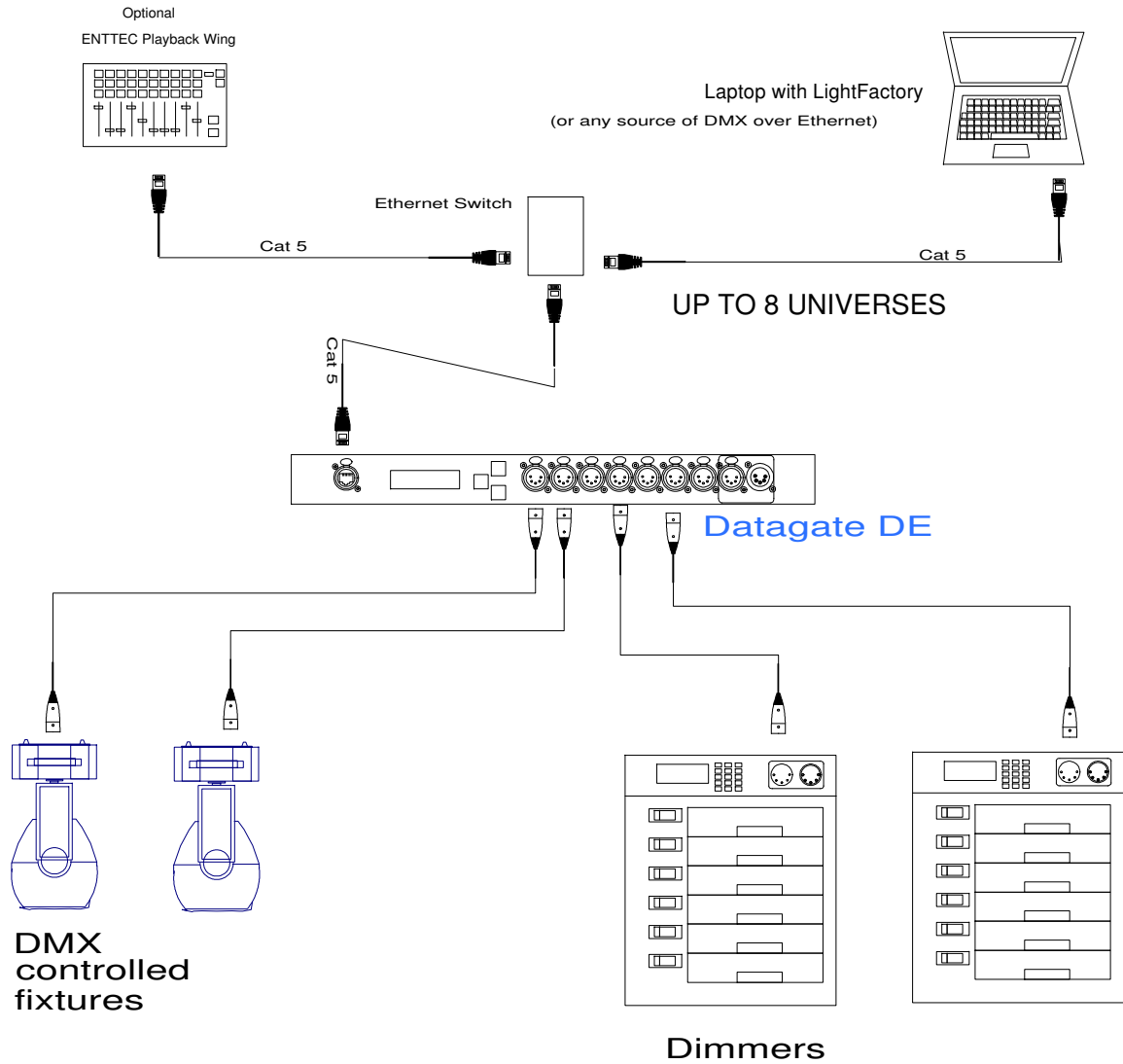
ENTTEC PTY LTD

ENTTEC USA
SALES AND INFO
337 Court Street
Brooklyn, NY 11231
888 454-5922 Voice/Fax

System Schematic
LightFactory, various wings, and DMXEtherGate for Output

DRAWN BY: J KUMIN
DRAWING DATE: 4/8/2007

LightFactory with Datagate DE as output



P.O. Box 282
Kew, Vic 3101
Australia
+61 39 819 2433 Tel
+61 39 819 2733 Fax

ENTTEC PTY LTD

ENTTEC USA
SALES AND INFO
337 Court Street
Brooklyn, NY 11231
888 454-5922 Voice/Fax

System Schematic

LightFactory with Datagate DE as output

SCALE: n/a
Some elements drawn out of scale for clarity
DRAWING DATE: 4/2/2007
DRAWN BY: J KUMIN