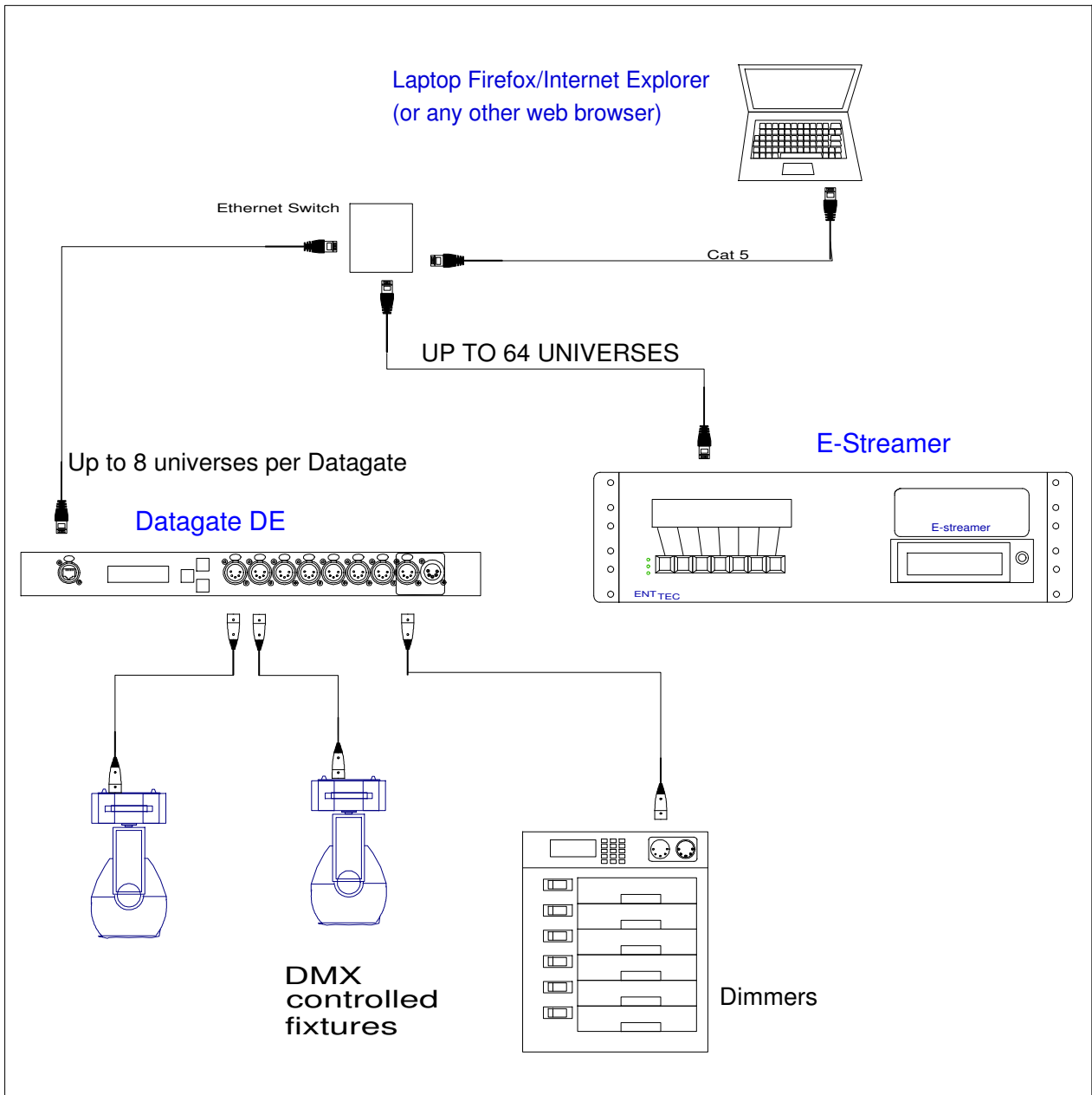


E-Streamer being configured with Web Browser on computer
(may be remote or local) for playback scheduling



P.O. Box 282
Kew, Vic 3101
Australia
+61 39 819 2433 Tel
+61 39 819 2733 Fax

ENTTEC PTY LTD

ENTTEC USA
SALES AND INFO
337 Court Street
Brooklyn, NY 11231
888 454-5922 Voice/Fax

PLATE

SCHEMATIC

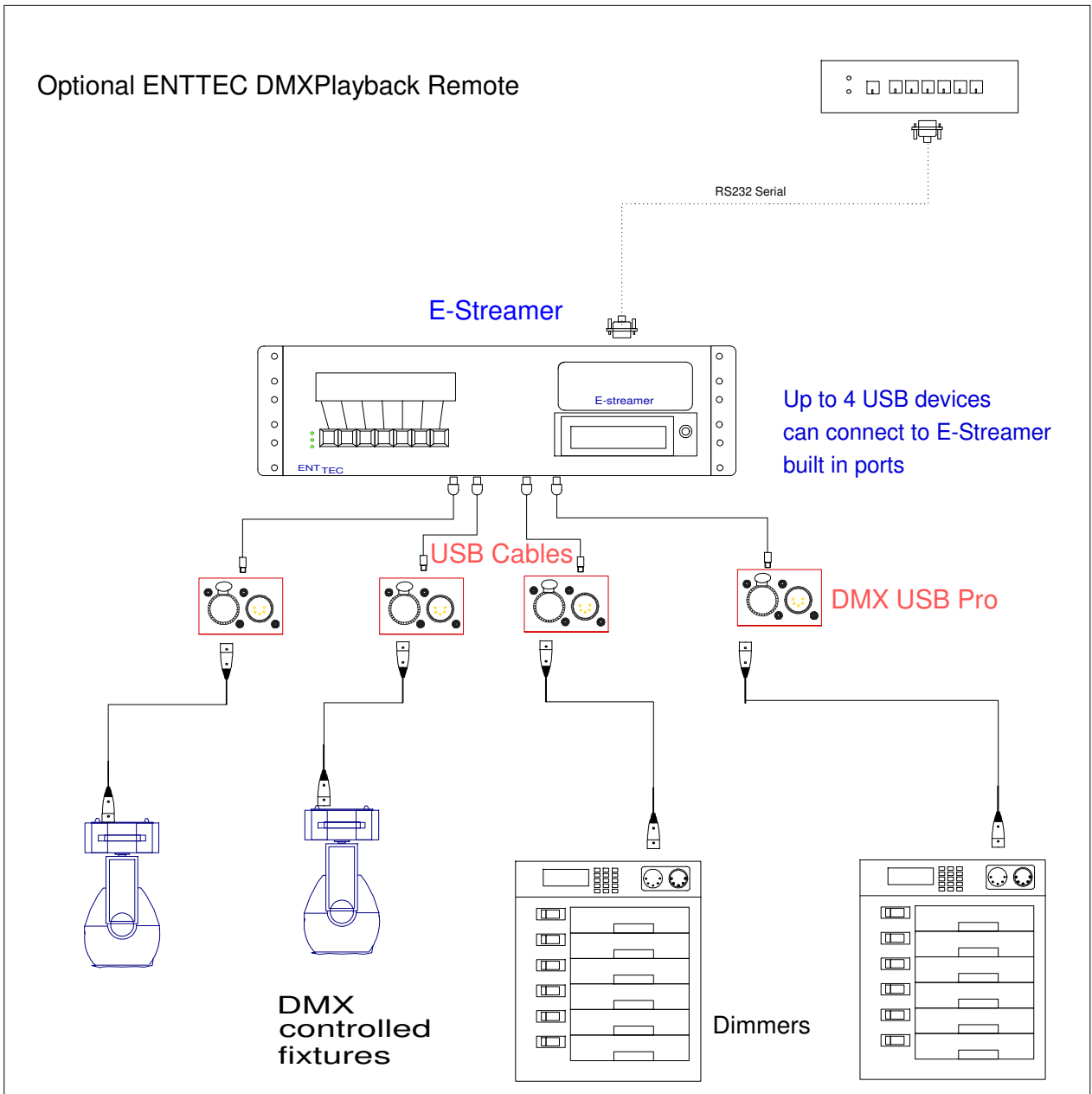
E-Streamer being configured with Web Browser on computer

70520-1

SCALE: n/a
Some elements drawn out of scale for clarity
DRAWING DATE: 4/14/2007

DRAWN BY: J KUMIN

E-Streamer in playback mode using up to 4 USB ports for output



P.O. Box 282
Kew, Vic 3101
Australia
+61 39 819 2433 Tel
+61 39 819 2733 Fax

ENTTEC PTY LTD

ENTTEC USA
SALES AND INFO
337 Court Street
Brooklyn, NY 11231
888 454-5922 Voice/Fax

PLATE

SCHEMATIC

70520-2

E-Streamer in playback mode using up to 4 USB ports for output

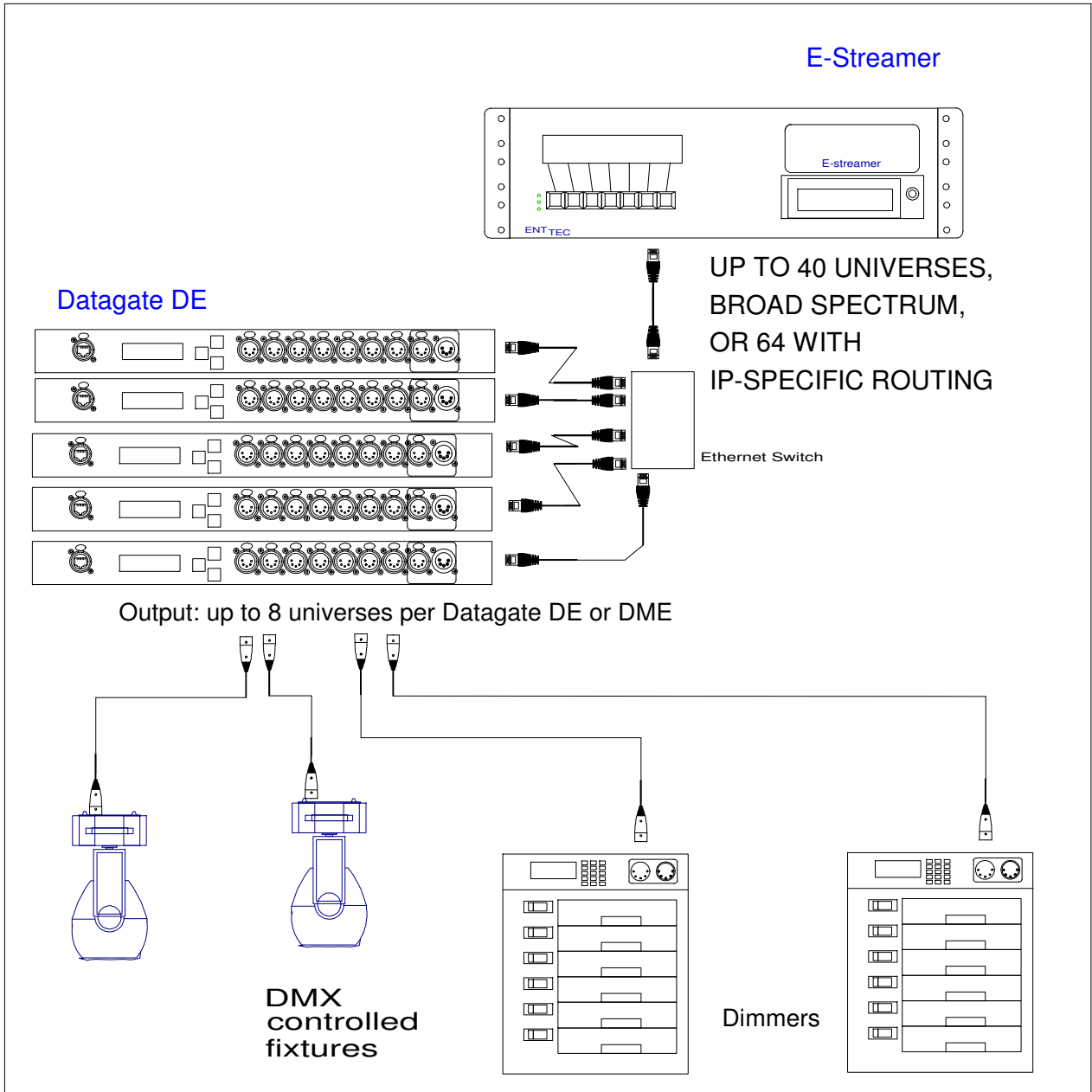
SCALE: n/a

Some elements drawn out of scale for clarity

DRAWING DATE: 4/14/2007

DRAWN BY: J KUMIN

E-Streamer in playback mode using DMX over Ethernet



P.O. Box 282
Kew, Vic 3101
Australia
+61 39 819 2433 Tel
+61 39 819 2733 Fax

ENTTEC PTY LTD

ENTTEC USA
SALES AND INFO
337 Court Street
Brooklyn, NY 11231
888 454-5922 Voice/Fax

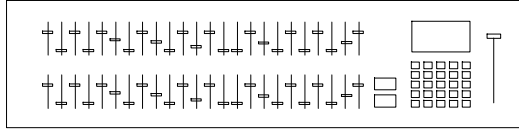
PLATE
70520-3

SCHEMATIC
E-Streamer in playback mode using DMX over Ethernet

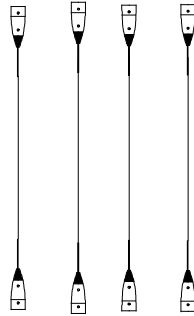
SCALE: n/a
Some elements drawn out of scale for clarity
DRAWING DATE: 4/14/2007
DRAWN BY: J KUMIN

E-Streamer in record mode with isolated throughput of DMX

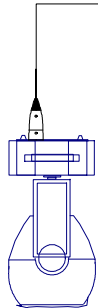
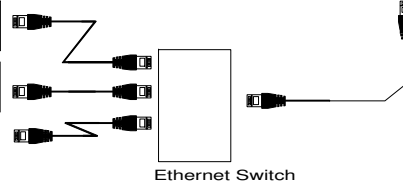
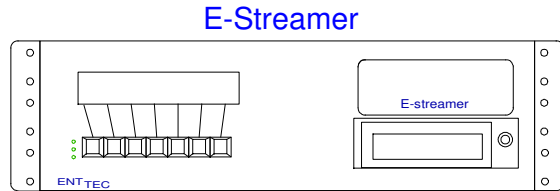
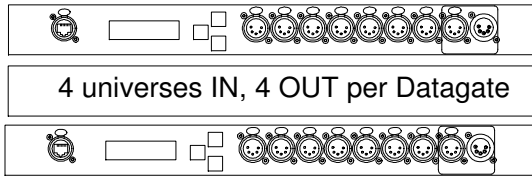
CONSOLE MAY BE REMOVED AFTER PROGRAMMING



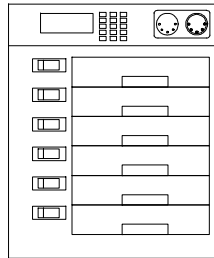
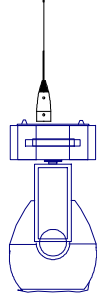
Console (by others)
with up to 64 Universe Output
such as Whole Hog, GrandMA,
Vista, Virtuoso, etc.



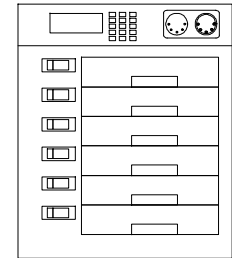
Datagate DE



DMX
controlled
fixtures



Dimmers



P.O. Box 282
Kew, Vic 3101
Australia
+61 39 819 2433 Tel
+61 39 819 2733 Fax

ENTTEC PTY LTD

ENTTEC USA
SALES AND INFO
337 Court Street
Brooklyn, NY 11231
888 454-5922 Voice/Fax

PLATE

SCHEMATIC

E-Streamer in record mode with isolated throughput of DMX

70520-4

SCALE: n/a

Some elements drawn out of scale for clarity

DRAWING DATE: 4/14/2007

DRAWN BY: J KUMIN