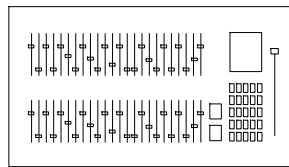
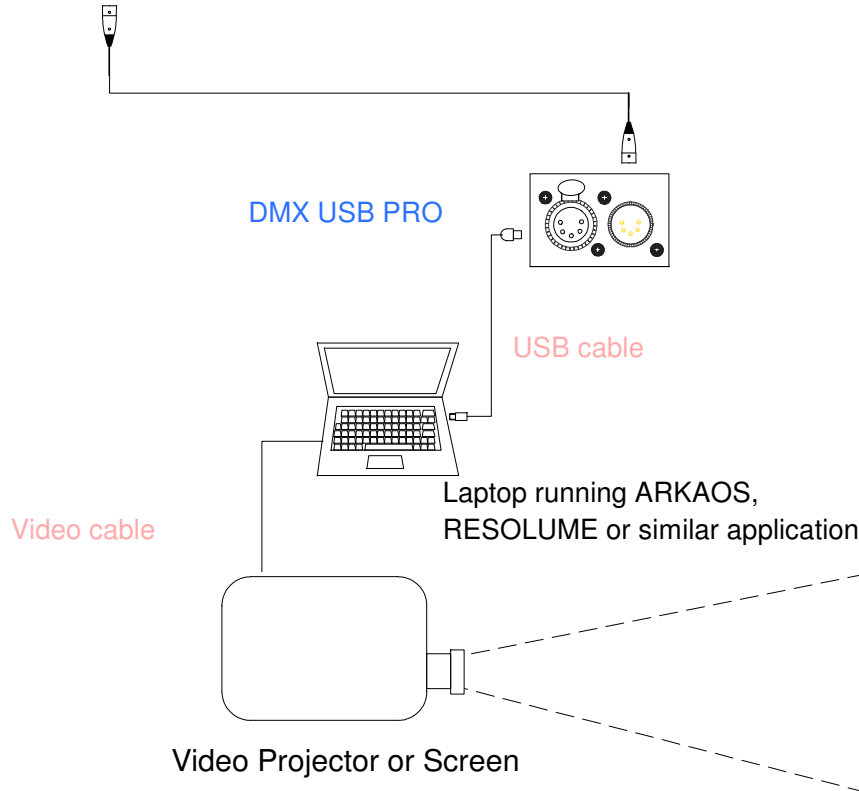


# DMX USB PRO used for Input with Media Server



Either a traditional DMX Console  
or a computer running Enttec  
LightFactory + choice of Enttec device  
to convert USB or Ethernet to DMX



P.O. Box 282  
Kew, Vic 3101  
Australia  
+61 39 819 2433 Tel  
+61 39 819 2733 Fax

**ENTTEC PTY LTD**

ENTTEC USA  
SALES AND INFO  
337 Court Street  
Brooklyn, NY 11231  
888 454-5922 Voice/Fax

**PLATE**

**70304-1**

**Schematic**

DMX USB PRO used for Input with Media Server

SCALE: n/a

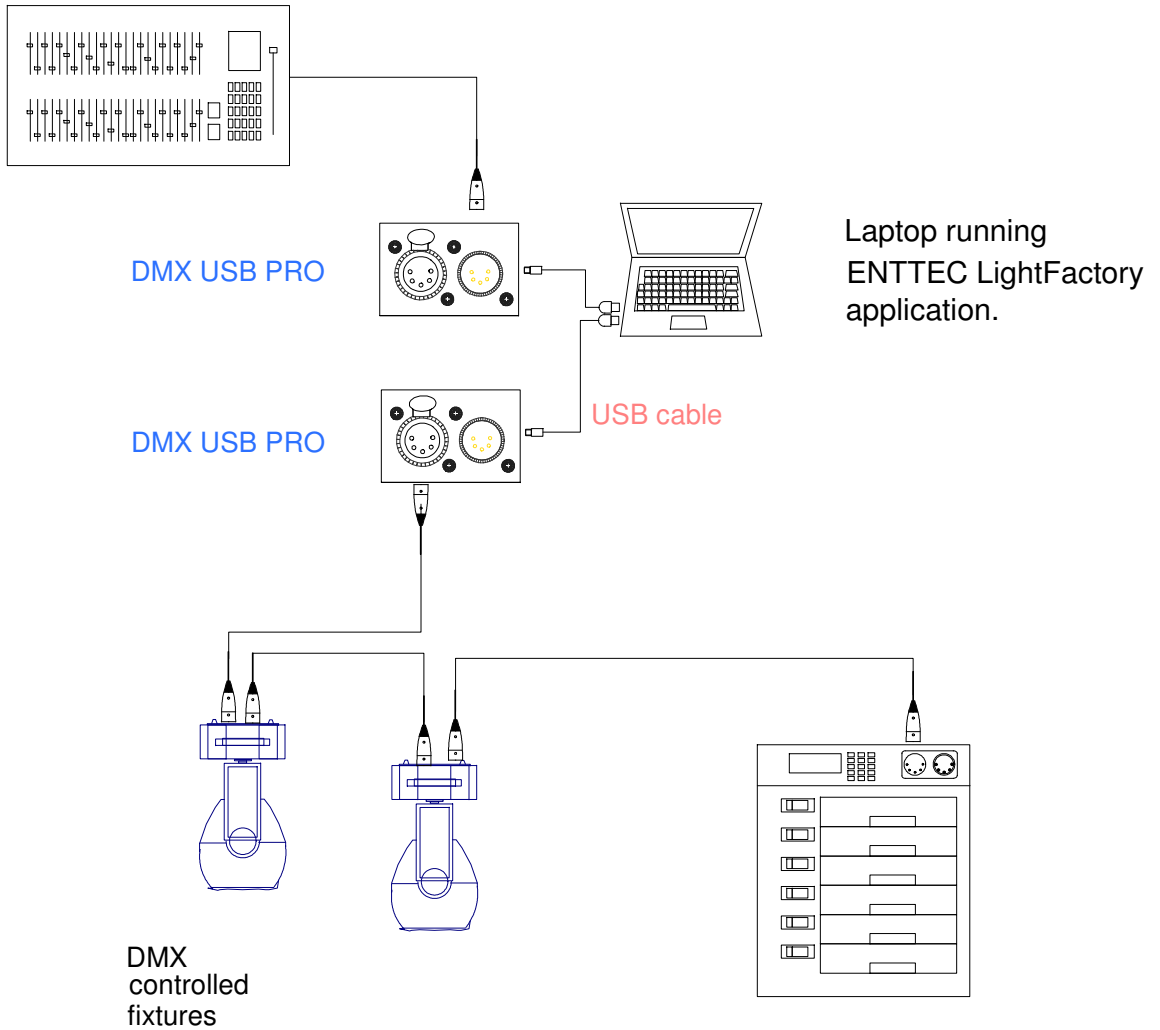
Some elements drawn out of scale for clarity

DRAWING DATE: 4/8/2007

DRAWN BY: J KUMIN

# DMX USB PRO used as Input with LightFactory

DMX Console for Fader controls



DMX USB PRO

DMX USB PRO

USB cable

Laptop running ENTTEC LightFactory application.

DMX controlled fixtures

P.O. Box 282  
Kew, Vic 3101  
Australia  
+61 39 819 2433 Tel  
+61 39 819 2733 Fax

**ENTTEC PTY LTD**

ENTTEC USA  
SALES AND INFO  
337 Court Street  
Brooklyn, NY 11231  
888 454-5922 Voice/Fax

PLATE

**70304-2**

**Schematic**

DMX USB PRO used as Input and Output with LightFactory

SCALE: n/a  
Some elements drawn out of scale for clarity  
DRAWING DATE: 4/8/2007

DRAWN BY: J KUMIN