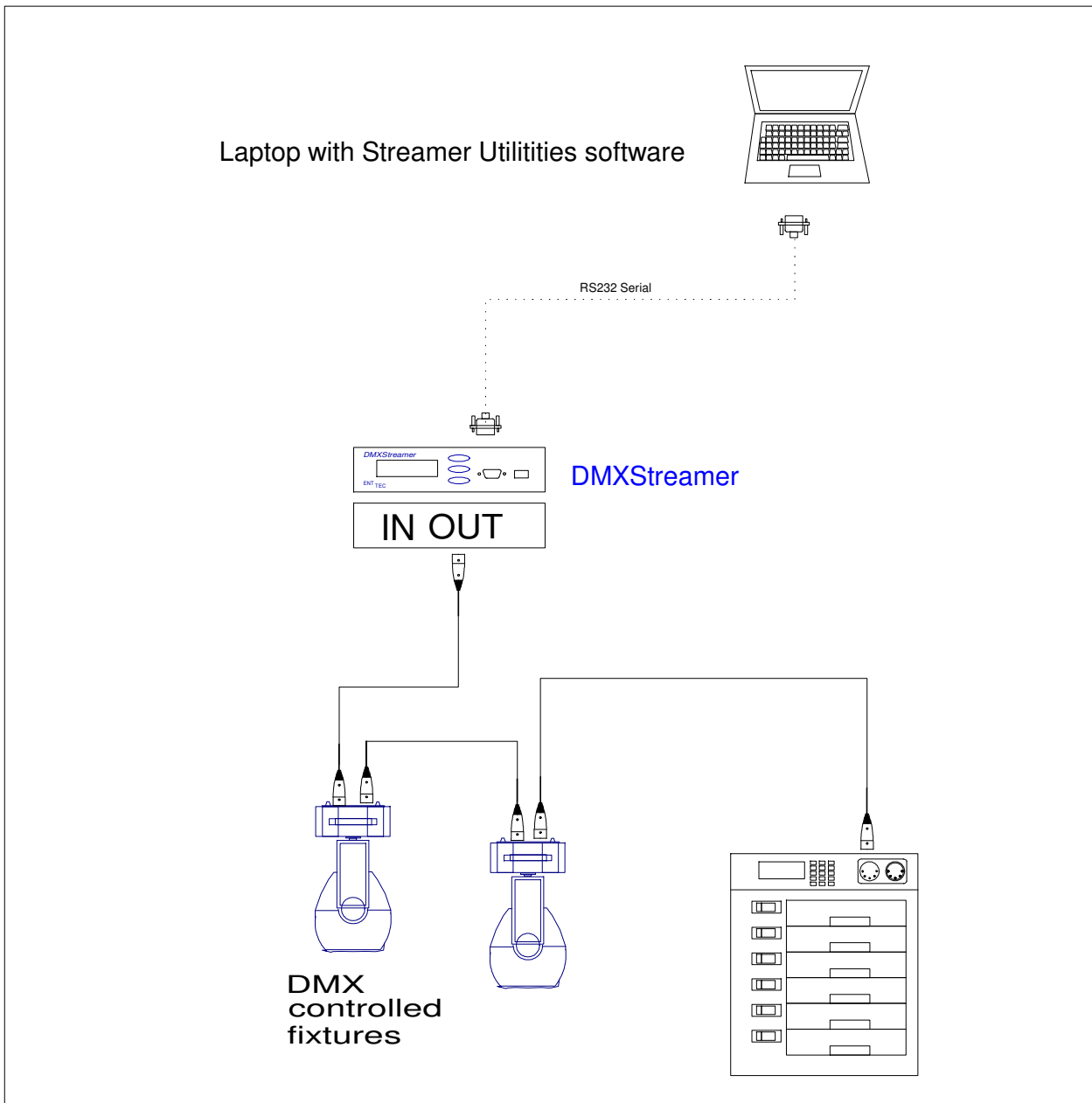


DMXStreamer with Streamer Utilities to configure or start and stop record/playback



P.O. Box 282
Kew, Vic 3101
Australia
+61 39 819 2433 Tel
+61 39 819 2733 Fax

ENTTEC PTY LTD

ENTTEC USA
SALES AND INFO
337 Court Street
Brooklyn, NY 11231
888 454-5922 Voice/Fax

PLATE

70015-1

SCHEMATIC

DMX Streamer controlled by Laptop

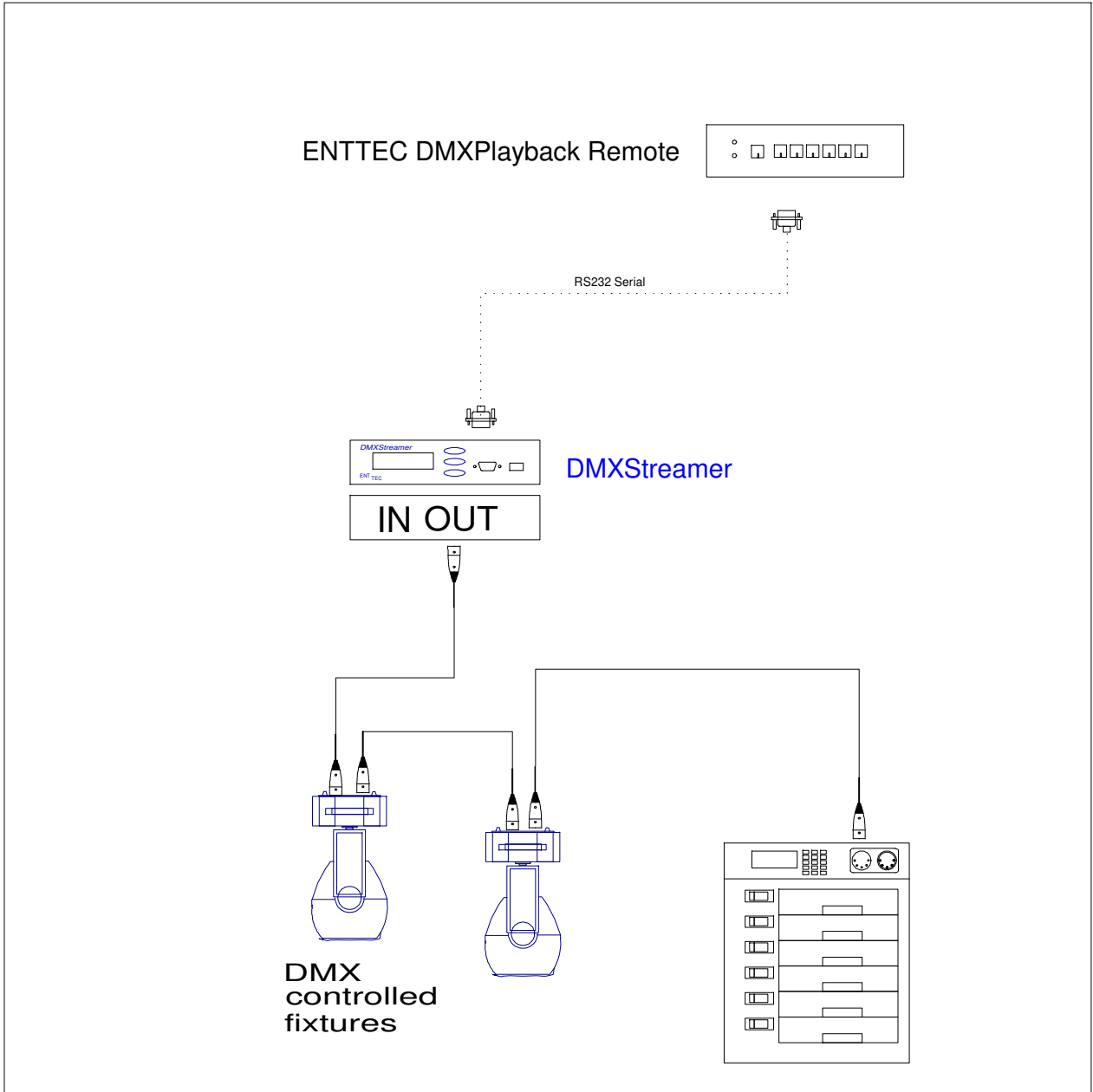
SCALE: n/a

Some elements drawn out of scale for clarity

DRAWING DATE: 4/2/2007

DRAWN BY: J KUMIN

DMXStreamer in playback mode (a)



P.O. Box 282
Kew, Vic 3101
Australia
+61 39 819 2433 Tel
+61 39 819 2733 Fax

ENTTEC PTY LTD

ENTTEC USA
SALES AND INFO
337 Court Street
Brooklyn, NY 11231
888 454-5922 Voice/Fax

PLATE

70015-2

SCHEMATIC

DMX Streamer run from Remote

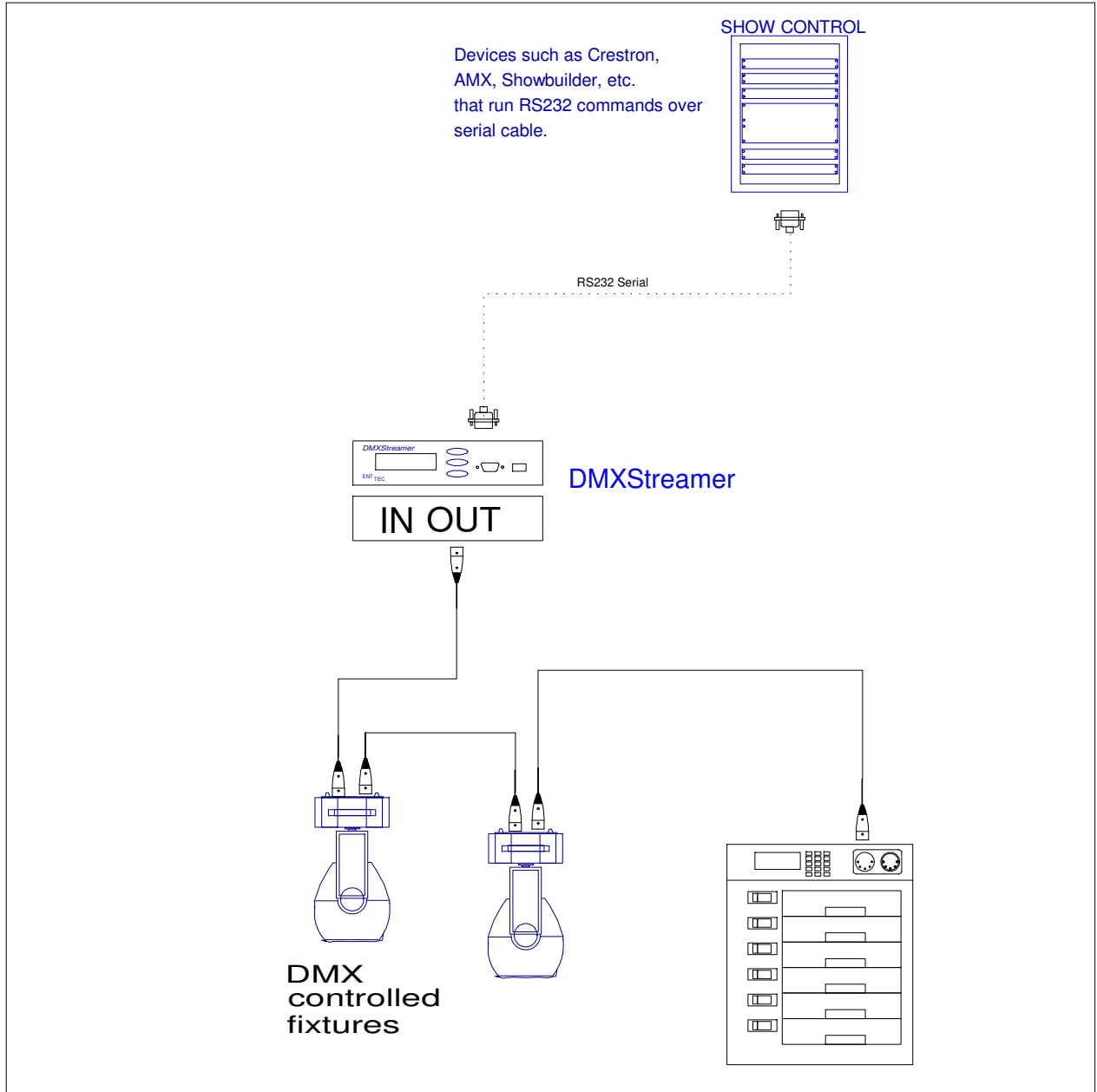
SCALE: n/a

Some elements drawn out of scale for clarity

DRAWING DATE: 4/2/2007

DRAWN BY: J KUMIN

DMXStreamer in playback mode (b)



P.O. Box 282
Kew, Vic 3101
Australia
+61 39 819 2433 Tel
+61 39 819 2733 Fax

ENTTEC PTY LTD

ENTTEC USA
SALES AND INFO
337 Court Street
Brooklyn, NY 11231
888 454-5922 Voice/Fax

PLATE

70015-3

SCHEMATIC

DMX Streamer run from RS232 Device

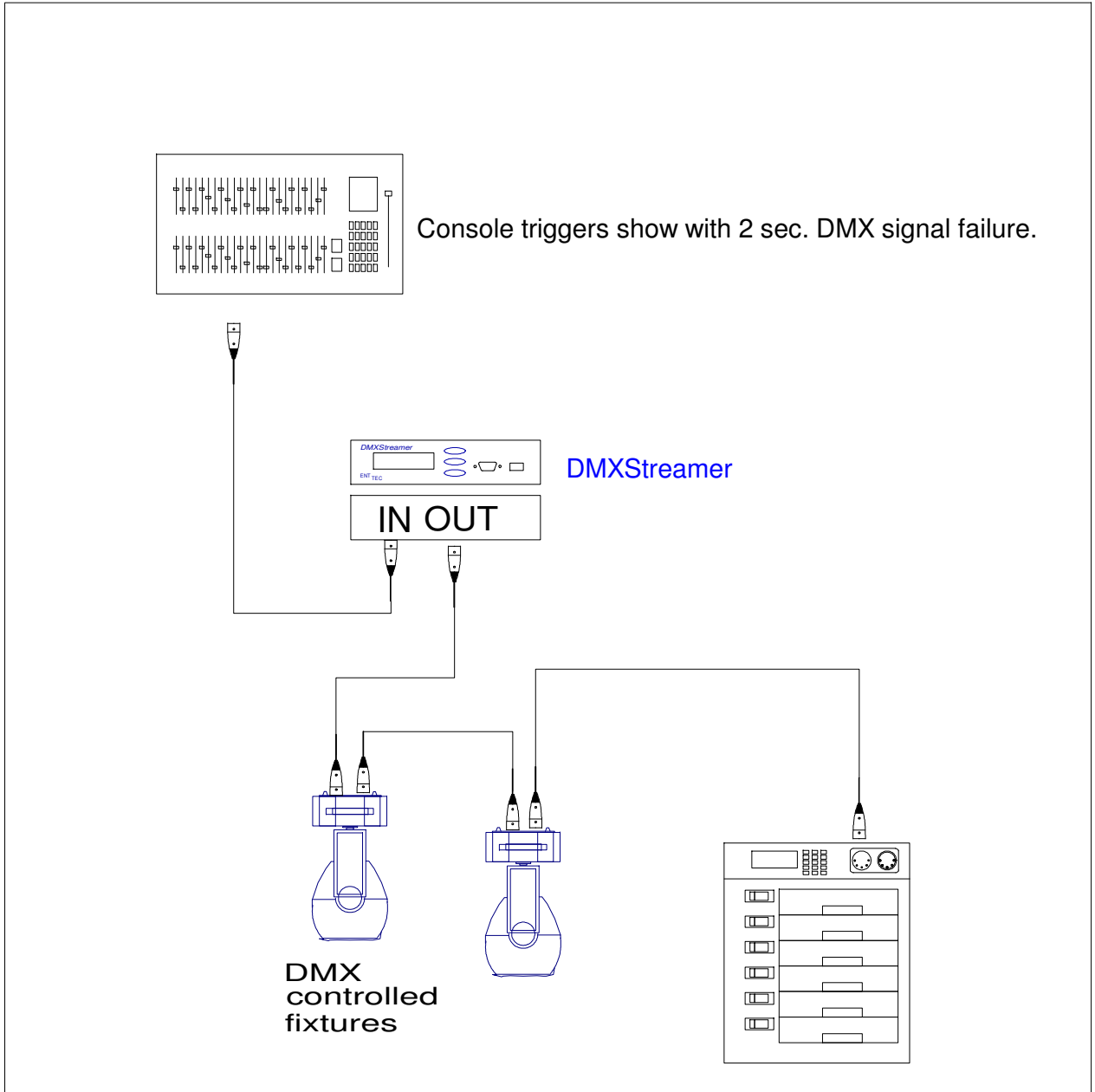
SCALE: n/a

Some elements drawn out of scale for clarity

DRAWING DATE: 4/2/2007

DRAWN BY: J KUMIN

DMXStreamer in playback mode (c)



P.O. Box 282
Kew, Vic 3101
Australia
+61 39 819 2433 Tel
+61 39 819 2733 Fax

ENTTEC PTY LTD

ENTTEC USA
SALES AND INFO
337 Court Street
Brooklyn, NY 11231
888 454-5922 Voice/Fax

PLATE

70015-4

SCHEMATIC

DMX Streamer in AUTO BACKUP mode

SCALE: n/a
Some elements drawn out of scale for clarity
DRAWING DATE: 4/2/2007

DRAWN BY: J KUMIN