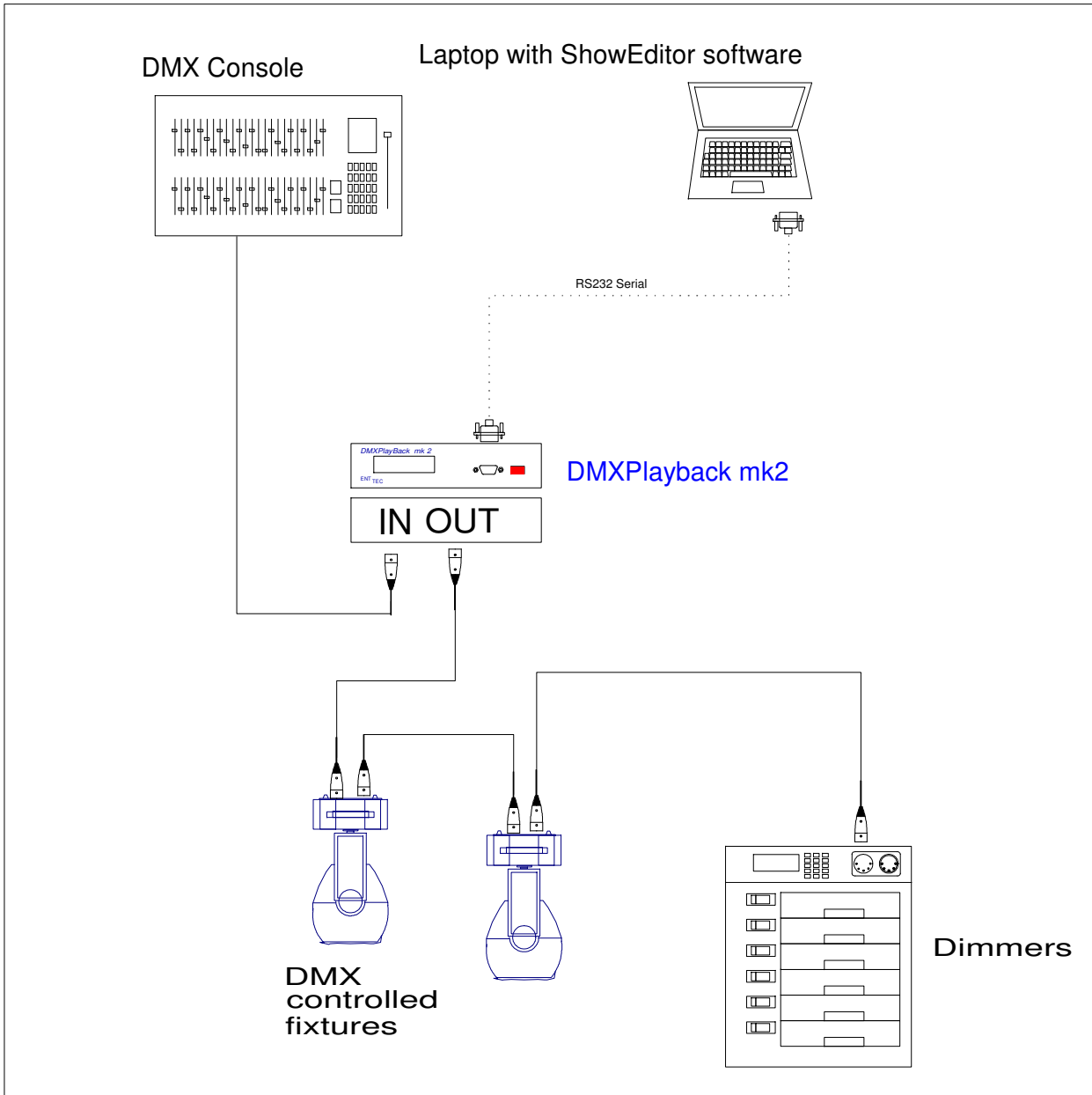


# DMXPlayback Mk2

## taking snapshots from DMX Input



P.O. Box 282  
 Kew, Vic 3101  
 Australia  
 +61 39 819 2433 Tel  
 +61 39 819 2733 Fax

**ENTTEC PTY LTD**

ENTTEC USA  
 SALES AND INFO  
 337 Court Street  
 Brooklyn, NY 11231  
 888 454-5922 Voice/Fax

**PLATE**

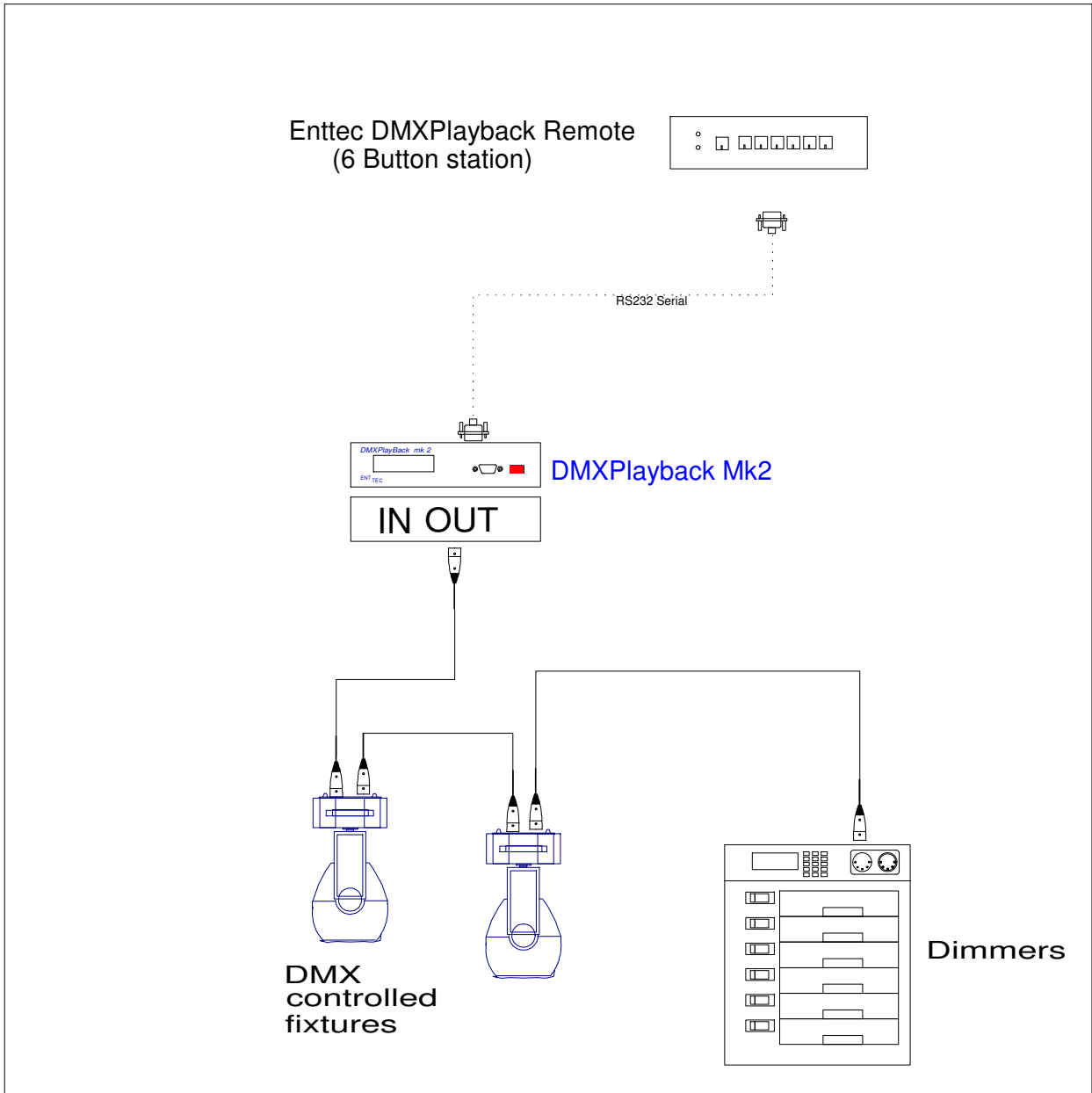
**70014-1**

**SCHEMATIC**  
 DMXPlayback Mk2 taking snapshots from DMX Input

*SCALE: n/a*  
*Some elements drawn out of scale for clarity*  
 DRAWING DATE: 4/2/2007

DRAWN BY: J KUMIN

# DMXPlayback Mk2 in playback mode (a)



P.O. Box 282  
Kew, Vic 3101  
Australia  
+61 39 819 2433 Tel  
+61 39 819 2733 Fax

**ENTTEC PTY LTD**

ENTTEC USA  
SALES AND INFO  
337 Court Street  
Brooklyn, NY 11231  
888 454-5922 Voice/Fax

**PLATE**

**70014-2**

**SCHEMATIC**

DMXPlayback Mk2 in playback mode (a)

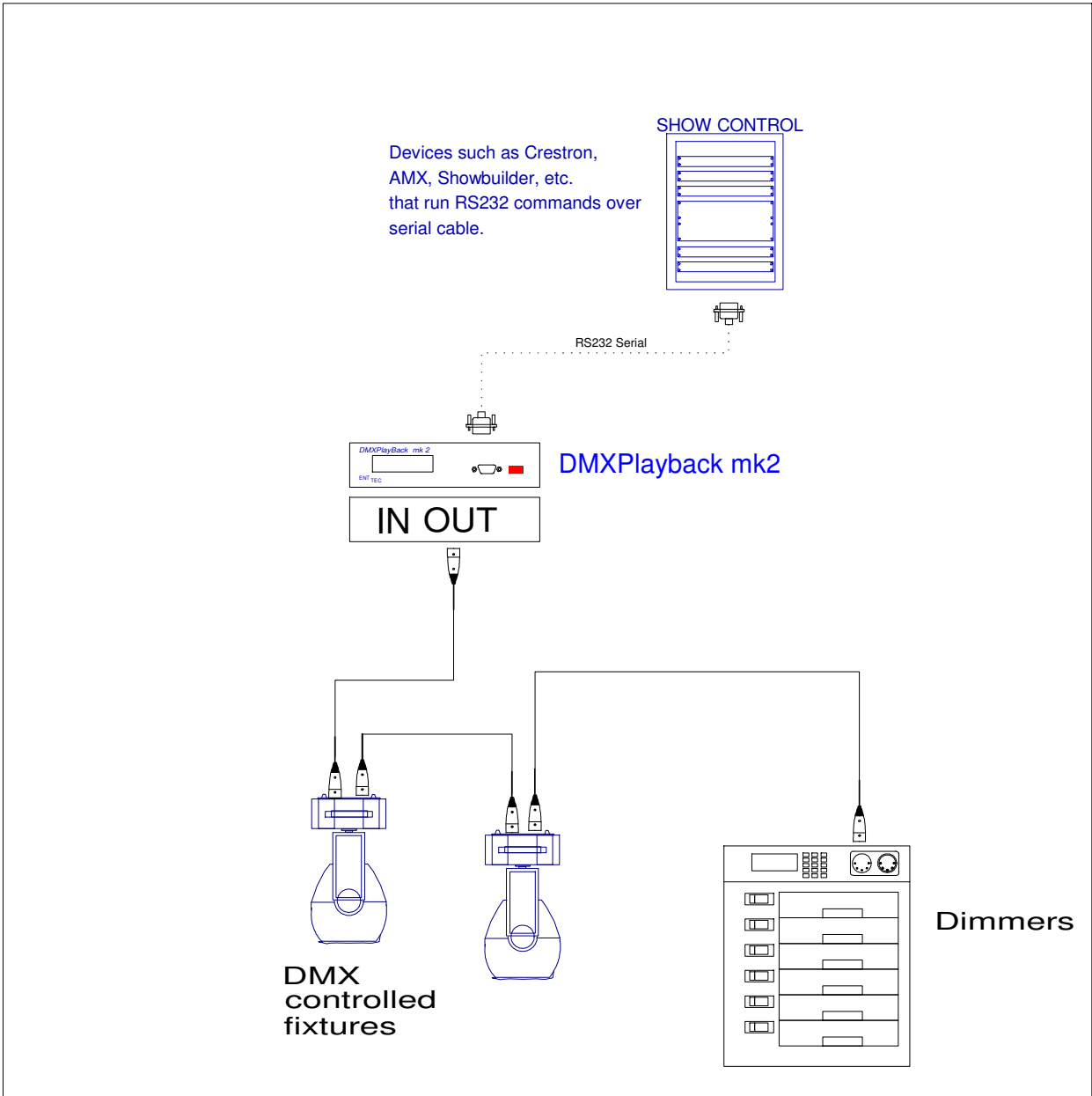
SCALE: n/a

Some elements drawn out of scale for clarity

DRAWING DATE: 4/2/2007

DRAWN BY: J KUMIN

# DMXPlayback Mk2 in playback mode (b)



P.O. Box 282  
Kew, Vic 3101  
Australia  
+61 39 819 2433 Tel  
+61 39 819 2733 Fax

**ENTTEC PTY LTD**

ENTTEC USA  
SALES AND INFO  
337 Court Street  
Brooklyn, NY 11231  
888 454-5922 Voice/Fax

**PLATE**

**70014-3**

**SCHEMATIC**

DMXPlayback Mk2 in playback mode (b)

SCALE: n/a

Some elements drawn out of scale for clarity

DRAWING DATE: 4/2/2007

DRAWN BY: J KUMIN