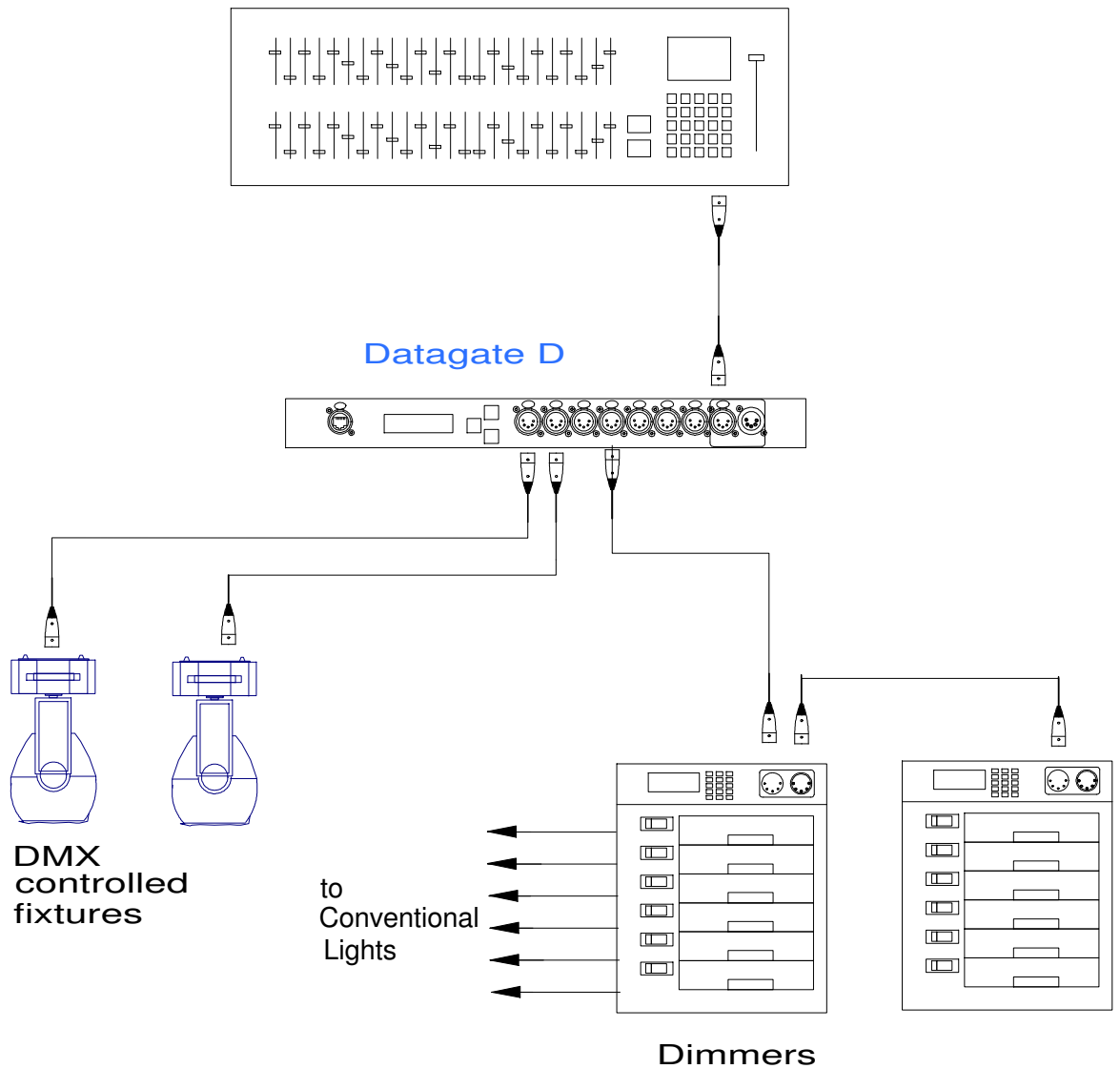


Datagate D used as Splitter



P.O. Box 282
 Kew, Vic 3101
 Australia
 +61 39 819 2433 Tel
 +61 39 819 2733 Fax

ENTTEC PTY LTD

ENTTEC USA
 SALES AND INFO
 337 Court Street
 Brooklyn, NY 11231
 888 454-5922 Voice/Fax

PLATE

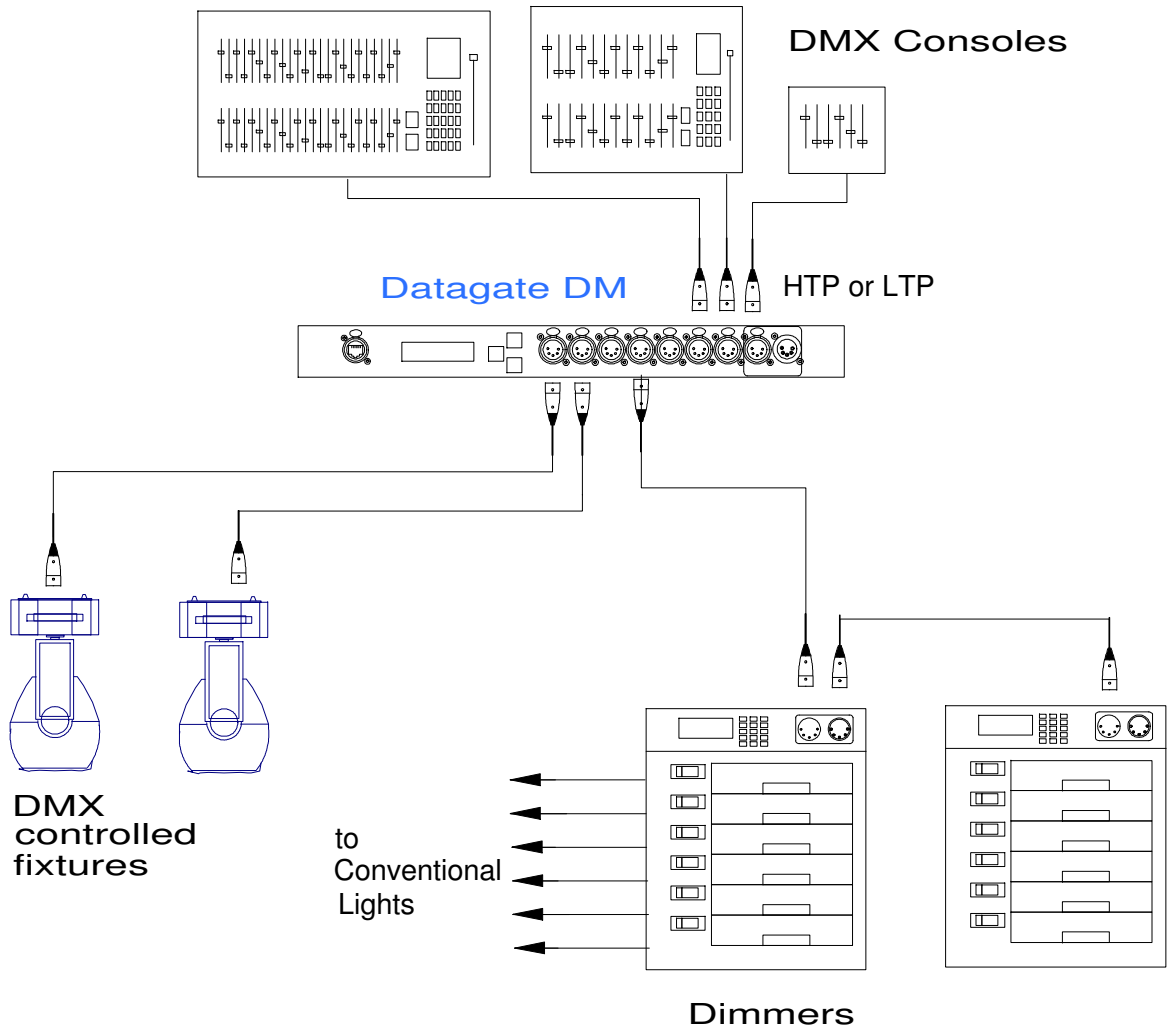
70024-1

Schematic
 Datagate D used as Splitter

SCALE: n/a
 Some elements drawn out of scale for clarity
 DRAWING DATE: 4/2/2007

DRAWN BY: J KUMIN

Datagate DM used as Merger and Splitter



P.O. Box 282
Kew, Vic 3101
Australia
+61 39 819 2433 Tel
+61 39 819 2733 Fax

ENTTEC PTY LTD

ENTTEC USA
SALES AND INFO
337 Court Street
Brooklyn, NY 11231
888 454-5922 Voice/Fax

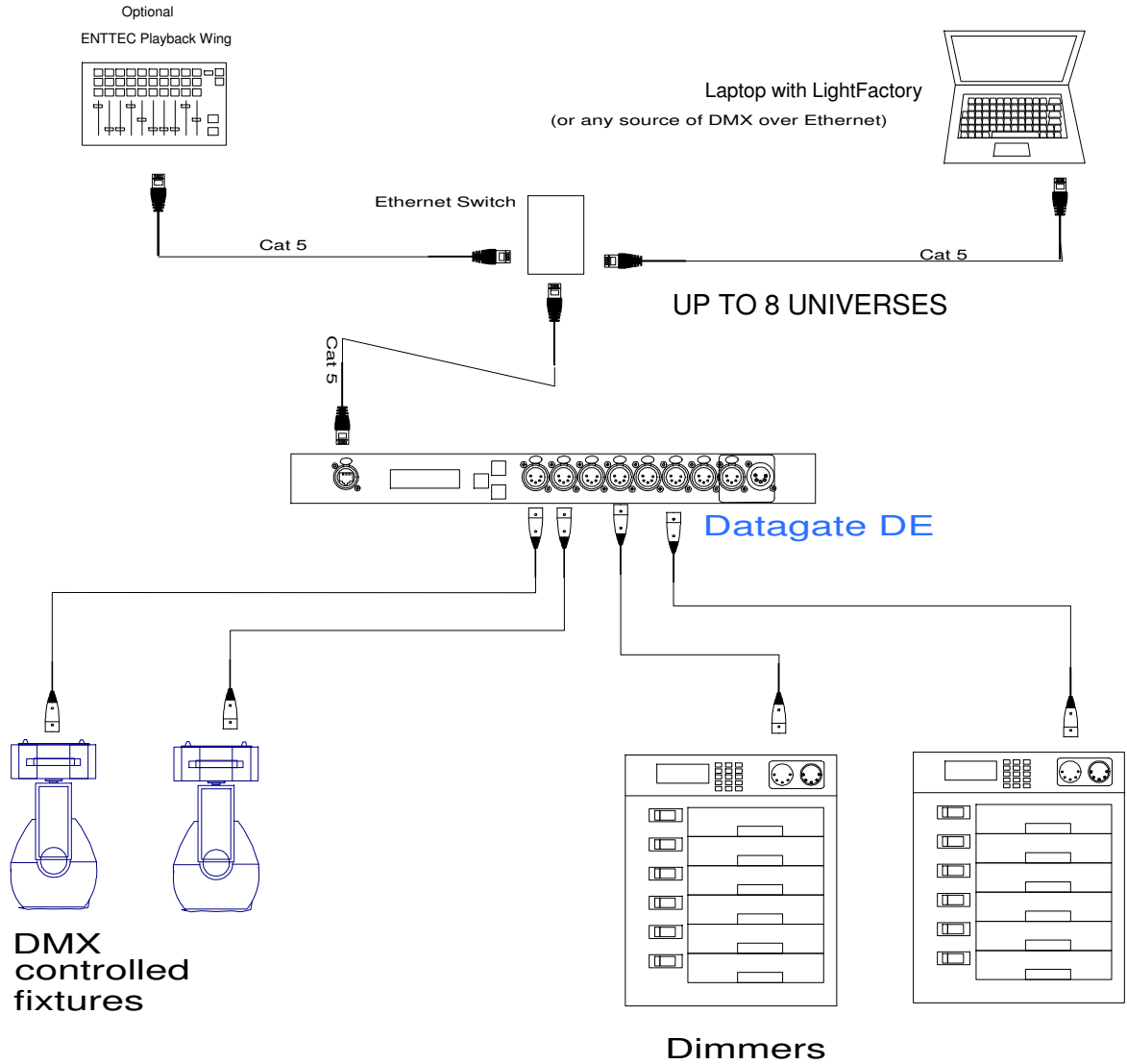
PLATE

70024-2

Schematic
Datagate DM used as Merger and Splitter

SCALE: n/a
Some elements drawn out of scale for clarity
DRAWING DATE: 4/2/2007
DRAWN BY: J KUMIN

Datagate DE used as Ethernet Converter



P.O. Box 282
Kew, Vic 3101
Australia
+61 39 819 2433 Tel
+61 39 819 2733 Fax

ENTTEC PTY LTD

ENTTEC USA
SALES AND INFO
337 Court Street
Brooklyn, NY 11231
888 454-5922 Voice/Fax

PLATE

70024-3

Schematic

Datagate DE used as Ethernet Converter

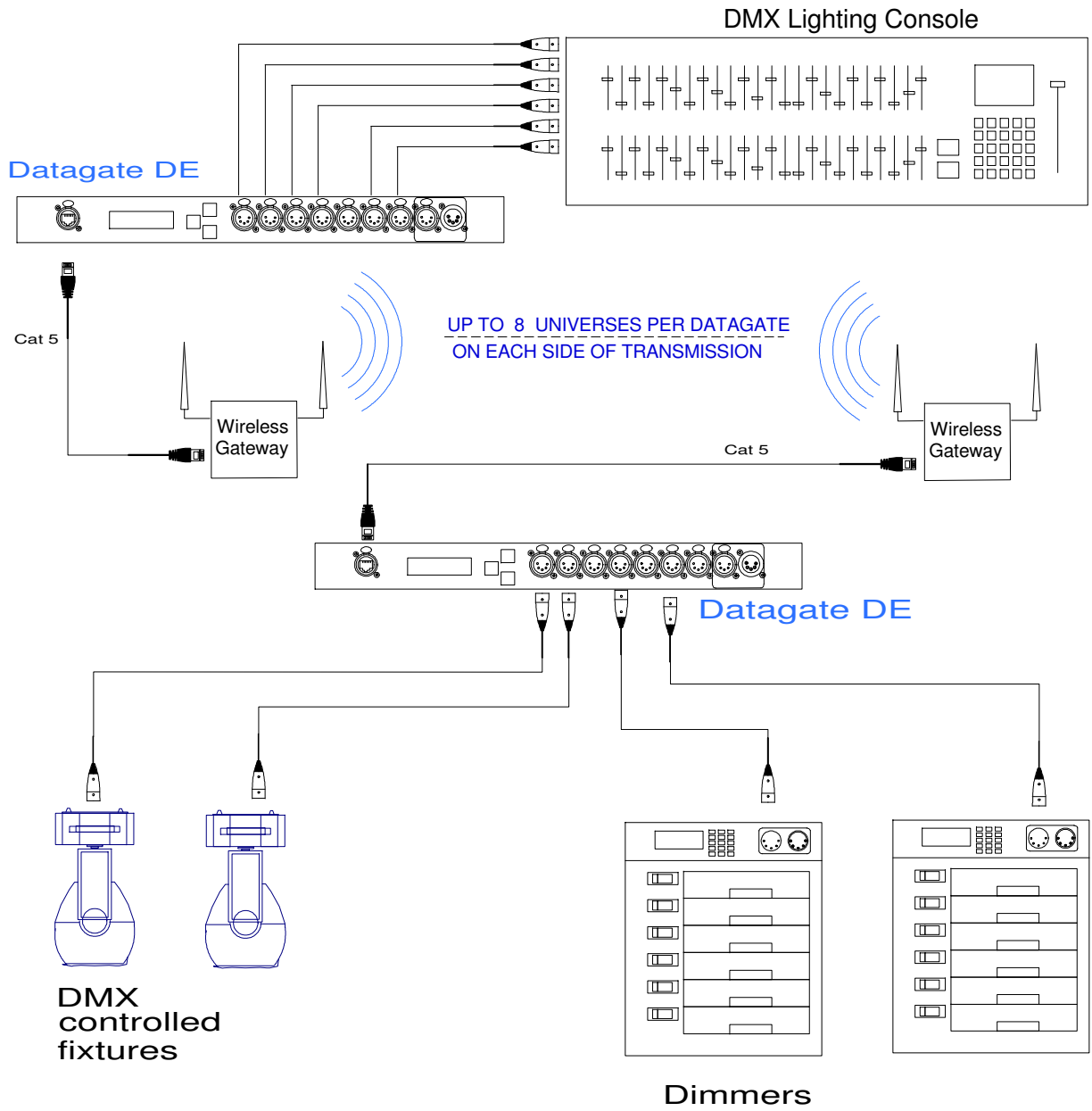
SCALE: n/a

Some elements drawn out of scale for clarity

DRAWING DATE: 4/2/2007

DRAWN BY: J KUMIN

Datagate DE used as Ethernet Converter for Wireless DMX



P.O. Box 282
Kew, Vic 3101
Australia
+61 39 819 2433 Tel
+61 39 819 2733 Fax

ENTTEC PTY LTD

ENTTEC USA
SALES AND INFO
337 Court Street
Brooklyn, NY 11231
888 454-5922 Voice/Fax

PLATE

70024-4

Schematic

Datagate DE used as Ethernet Converter for Wireless DMX

SCALE: n/a

Some elements drawn out of scale for clarity

DRAWING DATE: 4/2/2007

DRAWN BY: J KUMIN