

RDM USB PRO



GENERAL INFORMATION

We took everything we put into the DMX USB PRO and then we updated it to include state of the art Remote Device Management capabilities available nowhere else. This product can still do everything our DMX USB Pro does, but the new RDM features allow you to interact with your lights in ways that just a decade ago would be thought indistinguishable from magic.

APPLICATIONS

- TOURING
- UNIVERSITY & PROFESSIONAL THEATRE
- LARGER DJ & NIGHTCLUBS
- AV PRODUCTION COMPANIES
- TELEVISION STUDIO

FEATURES

- Lightweight and portable, can be slid into a laptop bag as a convenient setup and diagnostic tool.
- Power provided over USB from computer
- LED indicator to show proper function
- Includes USB cable and driver CD.
- DMX Features nearly identical to DMX USB Pro

RDM FEATURES

- Fully supports RDM ANSI (E.120) ESTA
- Supported by Enttec's RDM Responder Application (*as is the DMX USB Pro*)
- Fully compatible with Enttec's RDM Controller Application (*the DMX USB Pro only supports a limited set of functions*)
- Fully compatible with Enttec's RDM Sniffer Application (*support for this application unique to the RDM USB Pro*)

ORDERING INFORMATION

Part Number	Description
#70530	RDM USB Pro

OPTIONS

Part Number	Description
#70029	3-pin to 5-pin Adapter

SPARE PARTS

Part Number	Description
#79110	Replacement USB Cable

GENERAL SPECIFICATIONS

Power Requirements	300mA supplied by USB
Weight	0.66 LBS / 0.3 KG
Shipped Weight	0.88 LBS / 0.4 KG
Width:2.27" / 57.5MM	2.27" / 57.5MM
Height1.58" / 40MM	1.58" / 40MM
Depth	3.03" / 77MM
Operating Environment	0°-50°C in non-condensing environment

ENTTEC Main HQ
P.O. Box 4051
Ringwood, Vic 3134
Australia
+61 3 9763 5755 Tel
+61 3 9763 5688 Fax

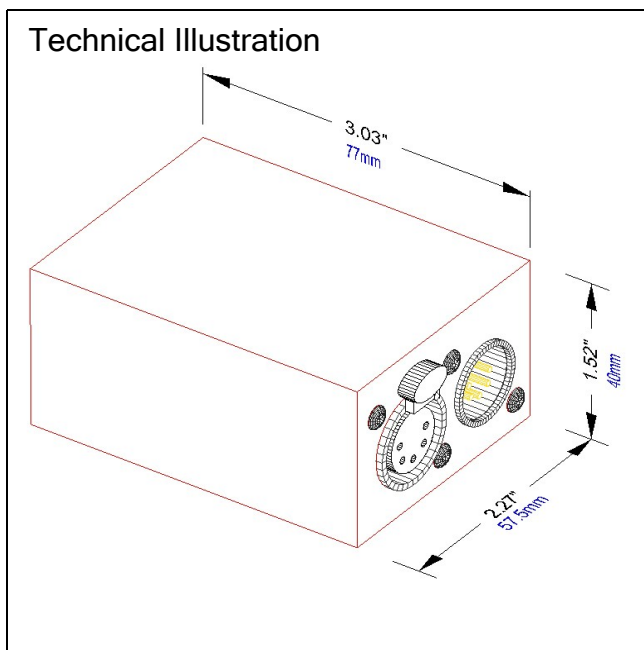
ENTTEC USA
SHIPPING AND BILLING
500-A Bynum Road
Forest Hill, MD

ENTTEC USA
SALES AND INFO
sales@enttec.com
888 454-5922 Tel.
888 454-5922 Fax

FUNCTIONAL SPECIFICATIONS

- USB port works with USB 1.1 or 2.0
- DMX Input - 5 Pin XLR (use optional)
- DMX Output - 5 Pin XLR (will be passive throughput if input is active)
- Micro processor enabled
- RDM enabled in both input and output modes (those terms may be more ambiguous in the context of bidirectional DMX communication)
- 1500V isolation (between data & power lines) to protect your computer from surges/spikes
- Internal frame buffering
- Drivers for Windows, OSX and Linux
- Refresh Rate configurable from 1 to 40Hz with a full 512 channel frame
- Break configurable from 96uS to 1.3mS
- MaB configurable from 10.6uS to 1.3mS
- Upgradeable firmware

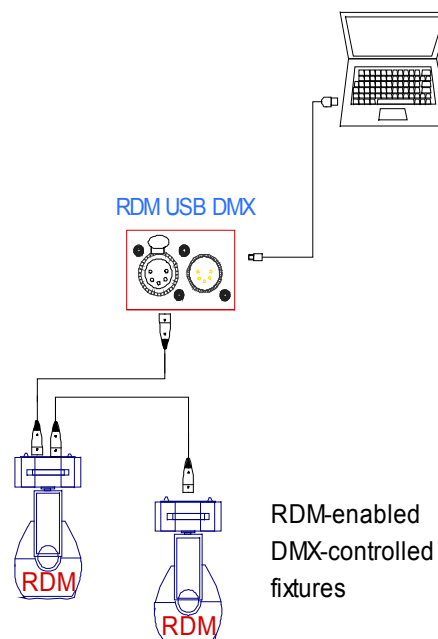
Technical Illustration



Wiring Diagrams (Riser)

RDM USB PRO used as Controller

Laptop running ENTTEC RDM Controller application.



See other Riser Diagrams, Plates 70530-1 through 70530-2