

Playback Wing

GENERAL INFORMATION



The Enttec Playback Wing is designed to allow fast, manual control of submasters in LightFactory and other PC-Based lighting control systems. It includes flash, next, pause, back, and go buttons, and has 99 pages of submasters available. The Enttec Playback Wing connects via Ethernet to your PC, meaning multiple Wings can be used if desired, and positioning is entirely up to the user. The Ethernet interface is plug and play, making it quick and simple to connect and get working!

APPLICATIONS

- TOURING
- EVENTS
- PROFESSIONAL, COMMUNITY OR ACADEMIC THEATRE
- NIGHT CLUBS & DJS
- PRODUCTION COMPANIES
- RESTAURANTS
- BANQUET FACILITIES, EVENT SITES

FEATURES

- Ethernet Interface
- 10 High Quality 60mm Faders
- 40 High quality Cherry MX Keys (GO, PAUSE, BACK & FLASH for each Fader)
- PAGE UP & PAGE DOWN Keys
- 2 Digit 7 Segment LED page # display

- Large GO & BACK Keys
- Upgradeable firmware
- Additional Playback Wings can run concurrently locally or elsewhere on same LAN.

ACCESSORIES

- Requires a Crossover Cable (included) or Ethernet hub (by others) to connect with computer (by others)
- Rack Mounting Ears (not included)
- Shortcut Wing
- Complete LightFactory setup with wings, computer, hub, touchscreen, etc. can be custom-configured for your needs.

ORDERING INFORMATION

Part Number	Description
#70032	Playback Wing

OPTIONS

Part Number	Description
70038	Wing Rack Mounting Kit (6U)

SPARE PARTS

Part Number	Description
#79104	Universal Power Supply

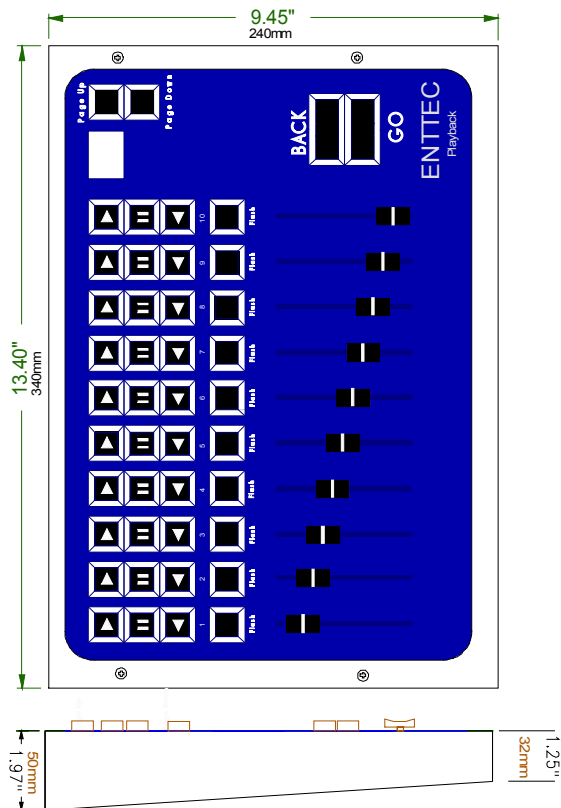
GENERAL SPECIFICATIONS

Power Requirements	110v-240v AC
Weight	5.94 lbs / 2.7 kg
Shipped Weight	7.04 lbs / 3.2 kg
Width:	13.4" / 340mm
Height	1.26"-1.97" / 32-50mm
Depth	9.45" / 240mm
Rack	6 Standard RU
Operating Environment	0°-50°C in non-condensing environment

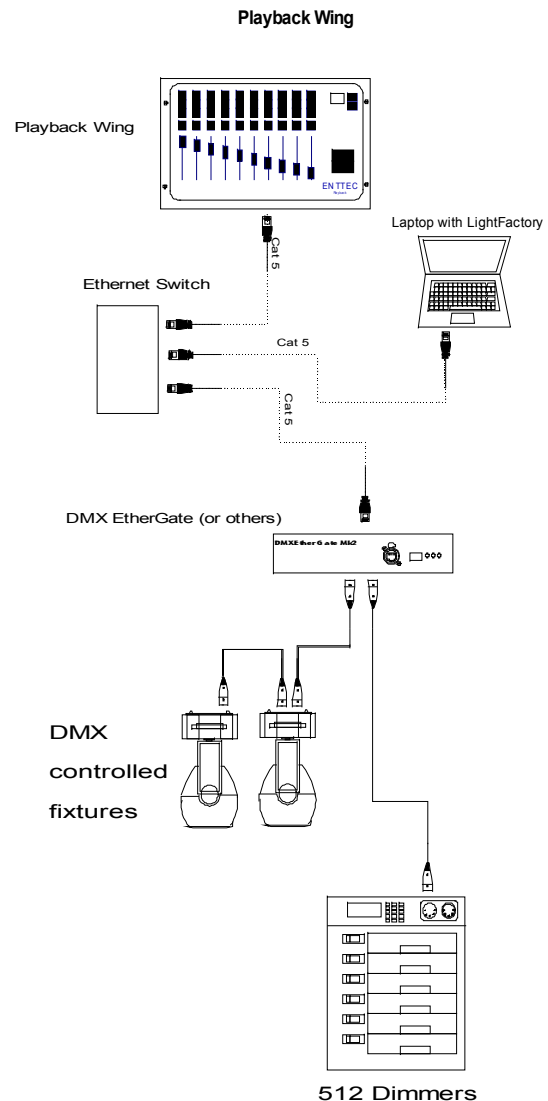
FUNCTIONAL SPECIFICATIONS

- Output and configuration through RJ45 Ethernet jack, requiring patch cables and hub, or crossover cable
- Supports ENTTEC protocol for LightFactory
- API available for software developers to use ENTTEC protocol to interface with other lighting control programs.
- Art-Net protocol support enabling user to assign channels to sliders (fading) and buttons (toggle/flash). In this mode, can trigger cues and slide faders on a board or program that performs these tasks from DMX input (including GrandMA on PC)
- External power supply for 9-12V DC, or use AC power input on 2.1mm DC jack
- CE, FCC certified

Technical Illustration with Dimensions



Wiring Diagrams



For additional information see the [schematics diagram sheets](#)