

DMXPlayback Remote



GENERAL INFORMATION

The DMX Playback Remote is an add-on for the DMX Playback or DMX Streamer. It acts as a remote control to let you start or stop one of the shows in memory in either of those devices. It also gives you contact closure inputs to allow you to custom-create an interface that matches your décor or integrates with most any show control or building integration solution.

APPLICATIONS

- ARCHITECTURAL
- TRADE SHOW
- RESTAURANTS, RETAIL STORES

FEATURES

- Rack mountable with optional kits
- Sits side by side with DMXPlayback Mk2 or DMXStreamer in 19" rack
- 6 Show Start Buttons
- Shift Button to access an additional 6 shows
- RS232 Serial Port to connect with DMX Playback or DMX Streamer.
- RS232 cable included
- Terminal connections for 6 contact closures. Configure them to activate on opening or closing.
- IR port lets you use a battery operated remote control for roaming wireless control.
- No external power connection: serial cable provides needed power when connected to device being controlled.

- 2 status LEDs: OK (green) and Error (red)
- Internal power supply

ACCESSORIES

- Handheld InfraRed Remote (not included)
- Rack Mounting Ears for a single unit (1RU) (not included)
- Rack Mounting Plate for 2 units (2RU) (not included)

ORDERING INFORMATION

Part Number	Description
#70027	DMX Playback Remote

OPTIONS

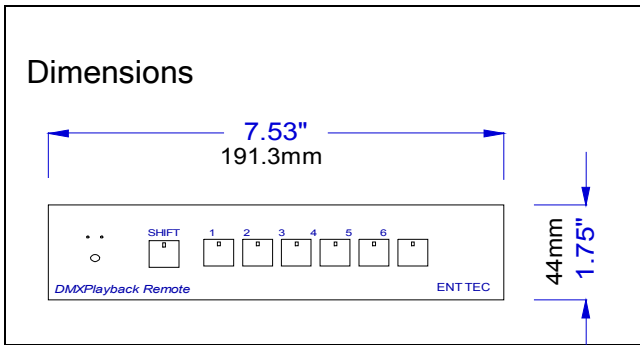
Part Number	Description
#70028	Handheld Remote
#70006	2U 19" Rack Mount Kit
#70018	1U 19" Rack Mount Kit

GENERAL SPECIFICATIONS

Power Requirements	Power over RS232 cable
Weight	1.25 lbs / 0.55 kg
Shipped Weight	1.76 lbs / 0.8 kg
Width:	7.53" / 191mm
Height	1.75" / 44.45mm
Depth	2.31" / 58.75mm
Rack	1RU high x ½ RU wide
Operating Environment	0°-50°C in non-condensing environment

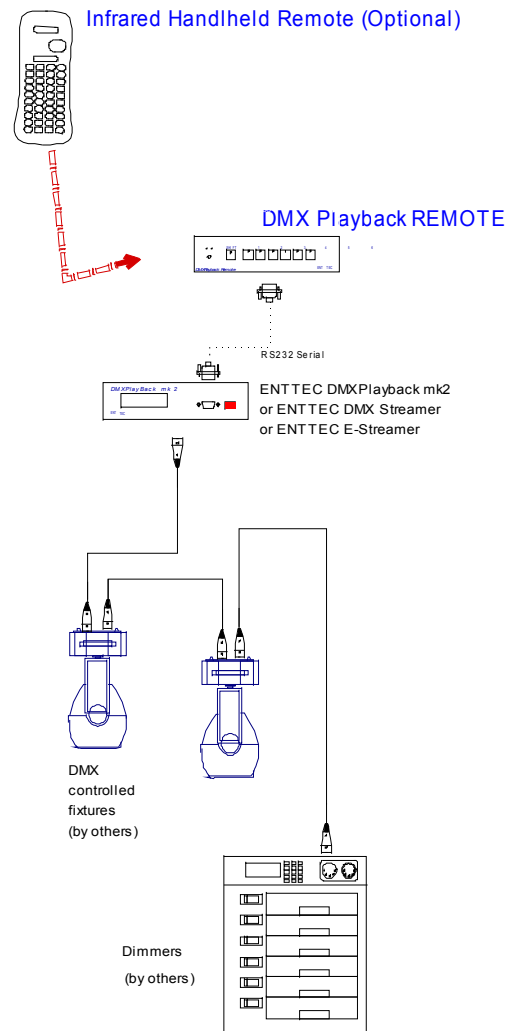
FUNCTIONAL SPECIFICATIONS

- RS232 port allows interconnection with ENTTEC DMX Playback, DMX Streamer, or E-Streamer
- 6 screw terminals on back are opto isolated
- CE, FCC certified



Wiring Diagrams

DPB Remote Firing shows on DMX Playback Mk2



ENTTEC Main HQ
P.O. Box 282
Kew, Vic 3101
Australia
+61 3 9819 2433 Tel
+61 3 9819 2733 Fax

ENTTEC USA
SHIPPING AND BILLING
500-A Bynum Road
Forest Hill, MD

ENTTEC USA
SALES AND INFO
Brooklyn, NY 11231
sales@enttec.com
888 454-5922 Tel.
888 454-5922 Fax