

D-SPLIT



GENERAL INFORMATION

D-SPLIT is an optical isolator/splitter for DMX512.

Its purpose is to allow the user more flexibility in connecting their DMX controlled devices. Instead of having to make them all fit within a single daisy chain, each of the four outputs from the D-SPLIT can be the start of its own chain, and multiple D-SPLITs can be linked together if needed.

APPLICATIONS

- SMALL THEATRES
- MUSICIANS/BANDS
- DJS
- CHURCHES

FEATURES

- Lightweight and portable
- 1 input, 4 outputs, all optically isolated (protects against up to 1000V of stray voltage)
- DMX512-1990 compatible (RDM not supported)

- Control up to 512 channels
- LED indicators show Power and DMX output
- External 7V Power Supply
- Has two 5 pin and two 3 pin outputs for greater flexibility

ORDERING INFORMATION

Part Number	Description
#70572	D-SPLIT

ACCESSORIES

A DMX terminator is recommended to go at the end of each chain of DMX signal. Commonly found adapters can change from 3 pin to 5 pin format and vice versa.

Part Number	Description
#79122	5 PIN TERMINATOR
#79123	3 PIN TERMINATOR
#70029	3 PIN FEMALE - 5 PIN MALE
#70023	3 PIN MALE - 5 PIN FEMALE

SPARE PARTS

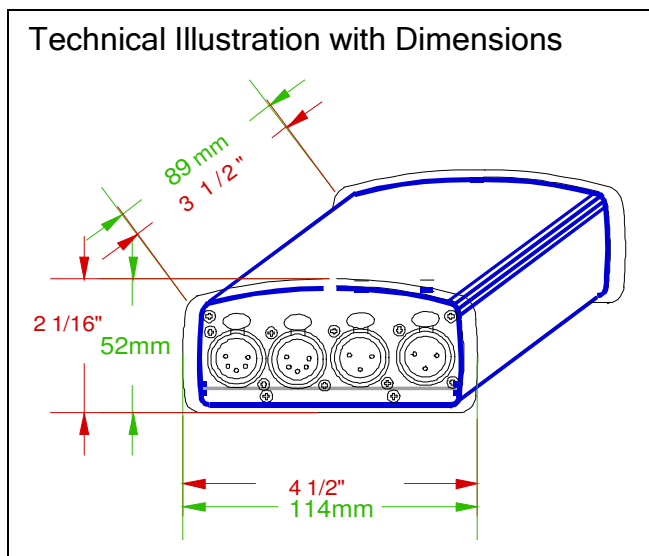
Part Number	Description
#791111ANZ	7V Autoswitching Power Supply

GENERAL SPECIFICATIONS

Power Requirements	7V, 300mA supplied by external power supply (included)
Weight	0.3 Kg
Shipped Weight	0.4 Kg
Width	114mm
Height	52mm
Depth	89mm
Operating Environment	0°-50°C in non-condensing environment

FUNCTIONAL SPECIFICATIONS

- DMX Output - 5 Pin XLR and 3 Pin XLR All four may be used simultaneously, or any combination.
- 1000V isolation between input and output, and between any individual output receptacle. This is to protect your console from surges on DMX line, and also keep any stray voltage from crossing to other DMX chains.



Wiring Diagram

