

### DIN-LED4PX



#### GENERAL INFORMATION

The DIN-LED4PX is a 4 channel constant voltage LED driver with DMX/RDM input. It also contains over temperature and over current protection. Each channel can control up to 1A @ 24V (supplied by external power supply) Dimming is performed with a 500Hz PWM signal, and 8 bit resolution. There are 2 automode programs with adjustable speeds that cycle through colours when RGB LEDs are connected to the outputs. DMX address or Automode is set using any standard RDM controller

#### APPLICATIONS

- ARCHITECTURAL
- THEME PARK
- RESTAURANT
- RETAIL STORE

ENTTEC Main HQ  
 17/5 Samantha Court  
 Knoxfield, VIC 3180  
 Australia  
 +61 3 9763 5755 Tel  
 +61 3 9763 5688 Fax

#### FEATURES

- DIN RAIL mountable
- 4 LED ports on 10 way screw connectors
- 1 input DMX on 3 way screw connector
- Each channel has auto reset 1A overcurrent protection
- Overtemperature protection
- Status LED
- Requires External 9v-24DC power supply

#### ORDERING INFORMATION

| Part Number | Description |
|-------------|-------------|
| #71003      | DIN-LED4PX  |

#### MUST BE USED IN CONJUNCTION WITH:

| Part Number | Description                                      |
|-------------|--|
| #79104      | 9v POWER SUPPLY or higher as determined by load. |

#### GENERAL SPECIFICATIONS

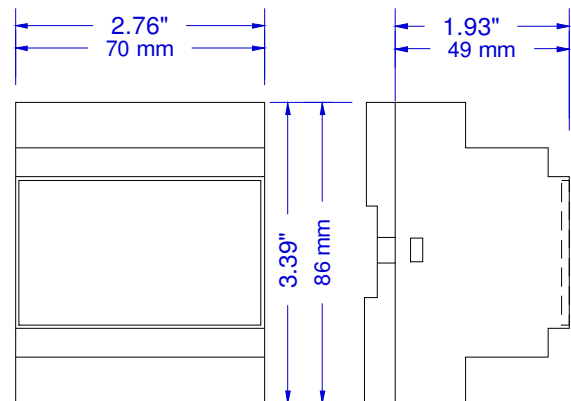
|                       |                                       |
|-----------------------|---------------------------------------|
| Power Requirements    | Power 9V to 24V DC                    |
| Weight                | 0.24bs / 110g                         |
| Shipped Weight        | 0.31bs / 140g                         |
| Width:                | 2.75" / 70mm                          |
| Height                | 3.39" / 86mm                          |
| Depth                 | 1.93" / 57mm                          |
| DIN RAIL              | 4 MODULES wide                        |
| Operating Environment | 0°-50°C in non-condensing environment |

#### OTHER SPECIFICATIONS

ENTTEC USA SALES/INFO  
 1821 Hillandale Rd , #1B-351  
 Durham, NC 27705  
[sales@enttec.com](mailto:sales@enttec.com)  
 888 454-5922 Tel.  
 888 454-5922 Fax

- Configuration of this component performed by RDM
- CE, FCC CERTIFIED
- POWER REQUIREMENT WILL VARY BASED UPON LED LOAD. MUST BE NO LESS THAN 9V AND IF LEDS DEMAND IT, MAY BE AS HIGH AS 24V.

### Dimensional Illustration



### Wiring Diagrams (Riser)

