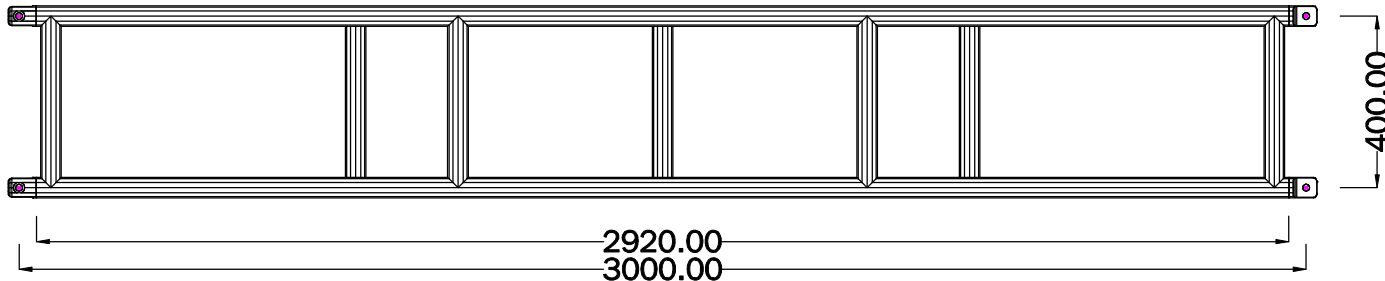
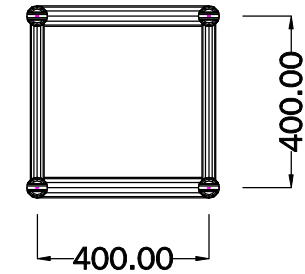


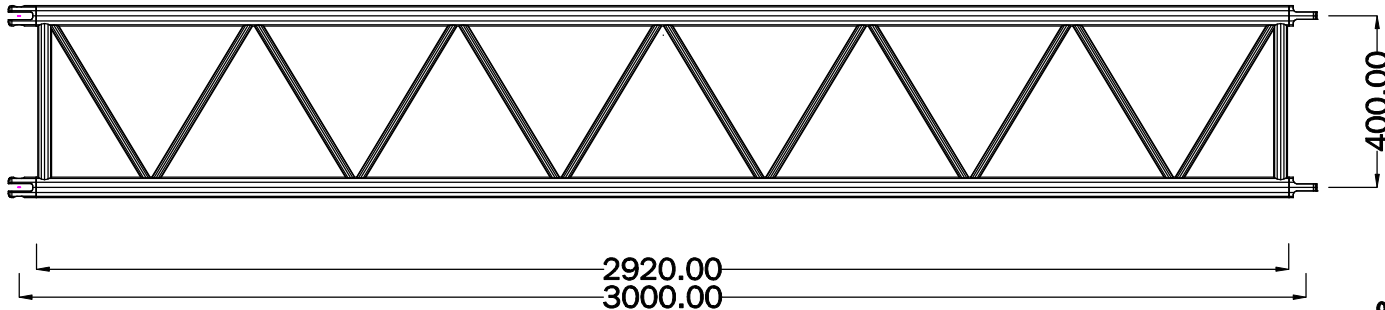
PLAN



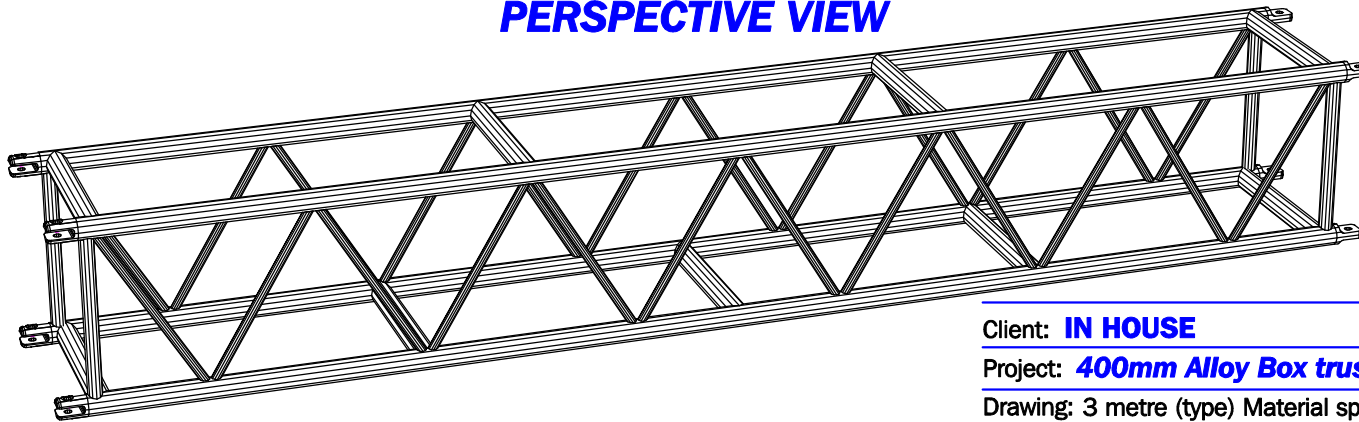
END ELEVATION



SIDE ELEVATION

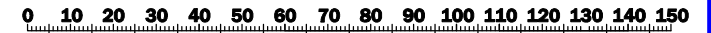


PERSPECTIVE VIEW



Allowable Load Data

LENGTH	UNIFORM LOAD	POINT LOAD
1x3 Metre	1280 Kg per metre	1920 Kg
2x3 Metre	320 Kg per metre	960 Kg
3x3 Metre	140 Kg per metre	640 Kg
4x3 Metre	80 Kg per metre	480 Kg



Scale in Centimetres

Last revised 30/03/2001
Text and Baseplate update & software ver.

Material details
All Chords, Webs and Bracing
constructed from 6061-T6 Alloy

Client: **IN HOUSE**
Project: **400mm Alloy Box truss**
Drawing: 3 metre (type) Material spec./Dims FINAL
Drawing Details: Plan, Side & End elev. and Perspective
Scale: SEE DRAWING Drawing No: 001-A 1of4
Version: 2.0 Date: 18/04/1998
Drawing Name: 3M400BOX.DWG
Drawing by: Beau Southey



138 - 146 Brown's Road Noble Park Victoria 3174
Tel: 613 9701 2355 Fax: 613 9701 2511 Mob: 0409 413 908

THIS DRAWING AND ALL ASSOCIATED FILES REMAIN THE STRICT PROPERTY OF BROWN'S PRECISION WELDING Pty. Ltd.
NOT TO BE REPRODUCED IN ANY FORM, WITHOUT THE EXPRESSED PERMISSION OF BROWN'S PRECISION WELDING Pty. Ltd.
COPYRIGHT 2001.