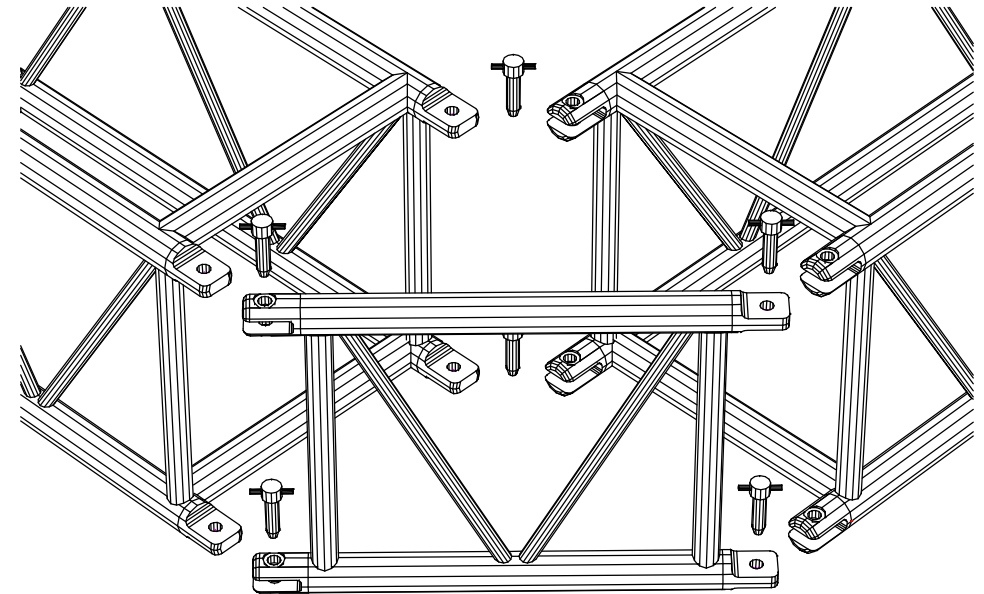
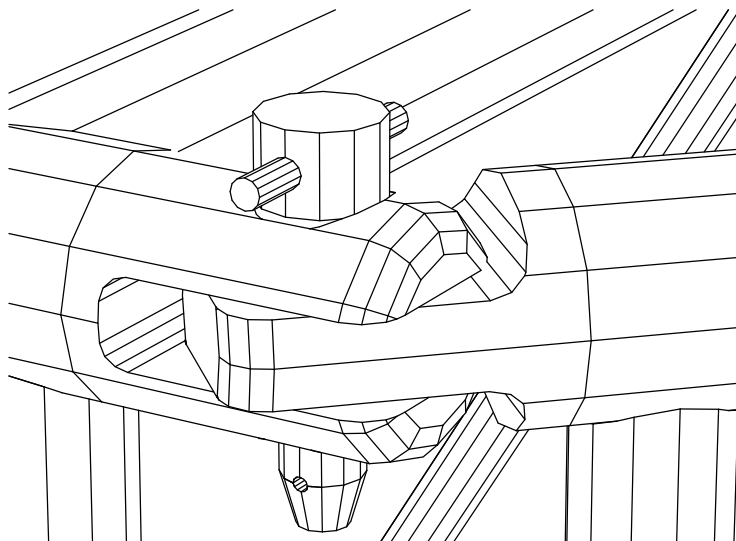


**3 WAY TRUSS JOIN SHOWING GATE AND CONNECTION METHOD**



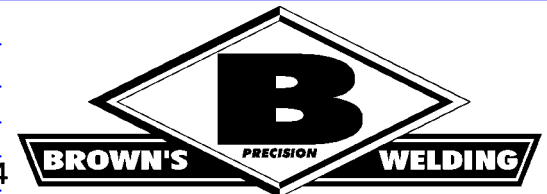
**90 DEGREE CORNER SHOWING GATE AND CONNECTION METHOD**



**DETAIL OF TYPICAL TRUSS JOIN  
SHOWING COUPLERS AND LOCKING PIN**

Client: **IN HOUSE**  
 Project: **400mm Alloy Box truss**  
 Drawing: **3 way join & 90 degree corner**  
 Drawing Details: **Perspective views x 3**  
 Scale: **N/A** Drawing No: **001-D 4of4**  
 Version: **2.0** Date: **18/04/1998**  
 Drawing Name: **3M-400ASS.DWG**  
 Drawing by: **Beau Southey**

Last Revised 17/05/2001  
 Text and Baseplate update & software version



138 - 146 Brown's Road Noble Park Victoria 3174  
 Tel: 613 9701 2355 Fax: 613 9701 2511 Mob: 0409 413 908

THIS DRAWING AND ALL ASSOCIATED FILES REMAIN THE STRICT PROPERTY OF BROWN'S PRECISION WELDING Pty. Ltd.  
 NOT TO BE REPRODUCED IN ANY FORM, WITHOUT THE EXPRESSED PERMISSION OF BROWN'S PRECISION WELDING Pty. Ltd.  
 COPYRIGHT 2001